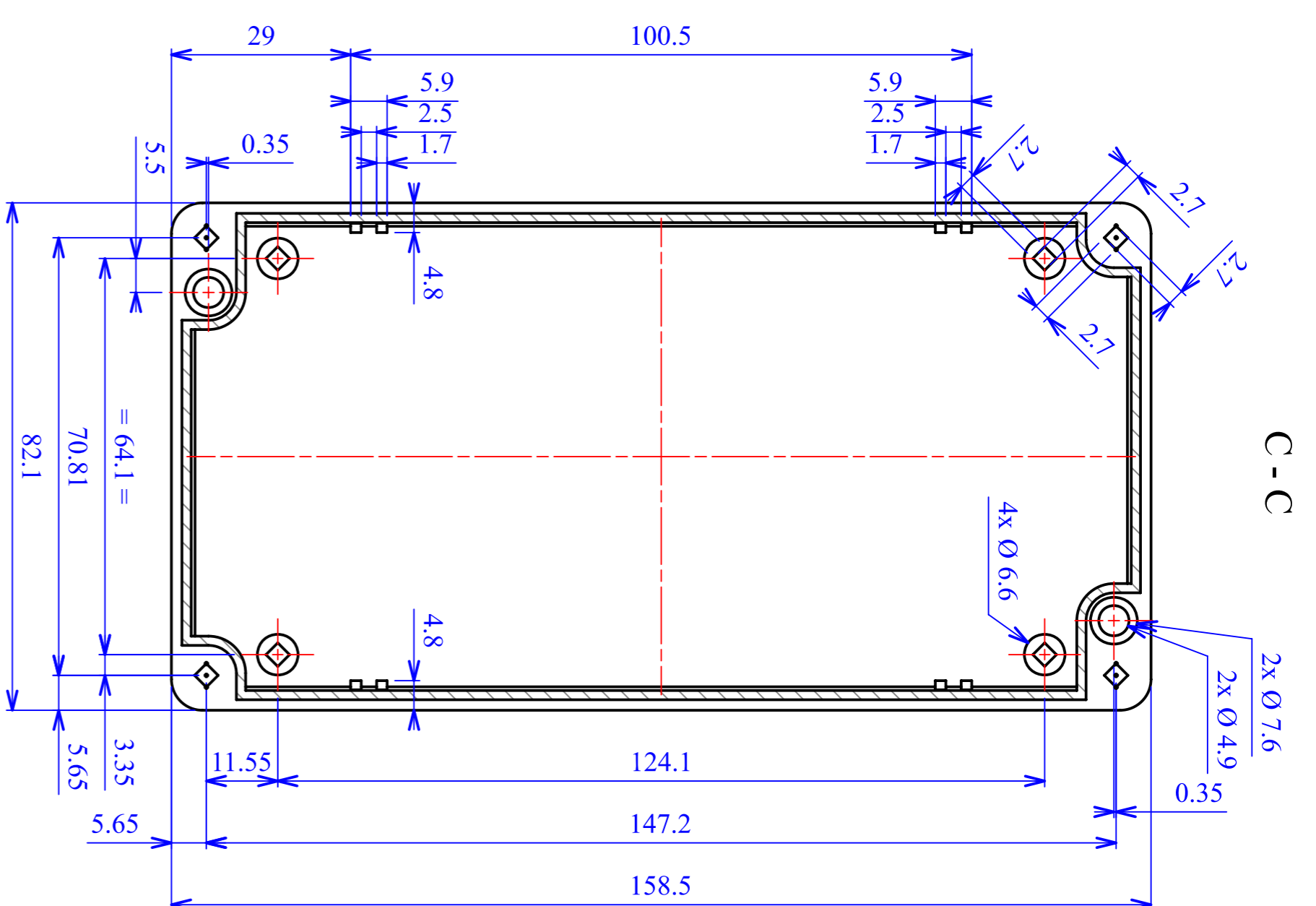
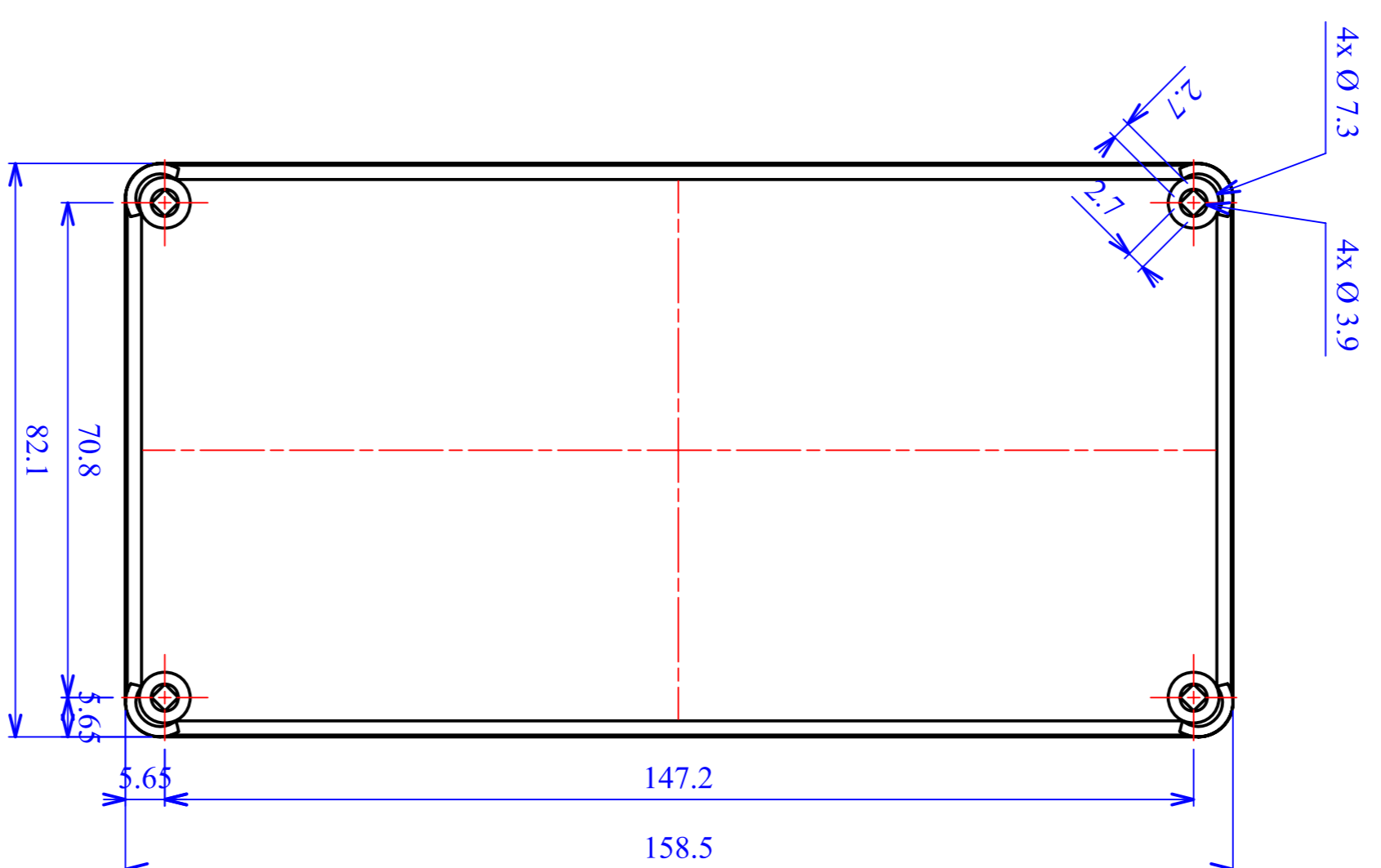
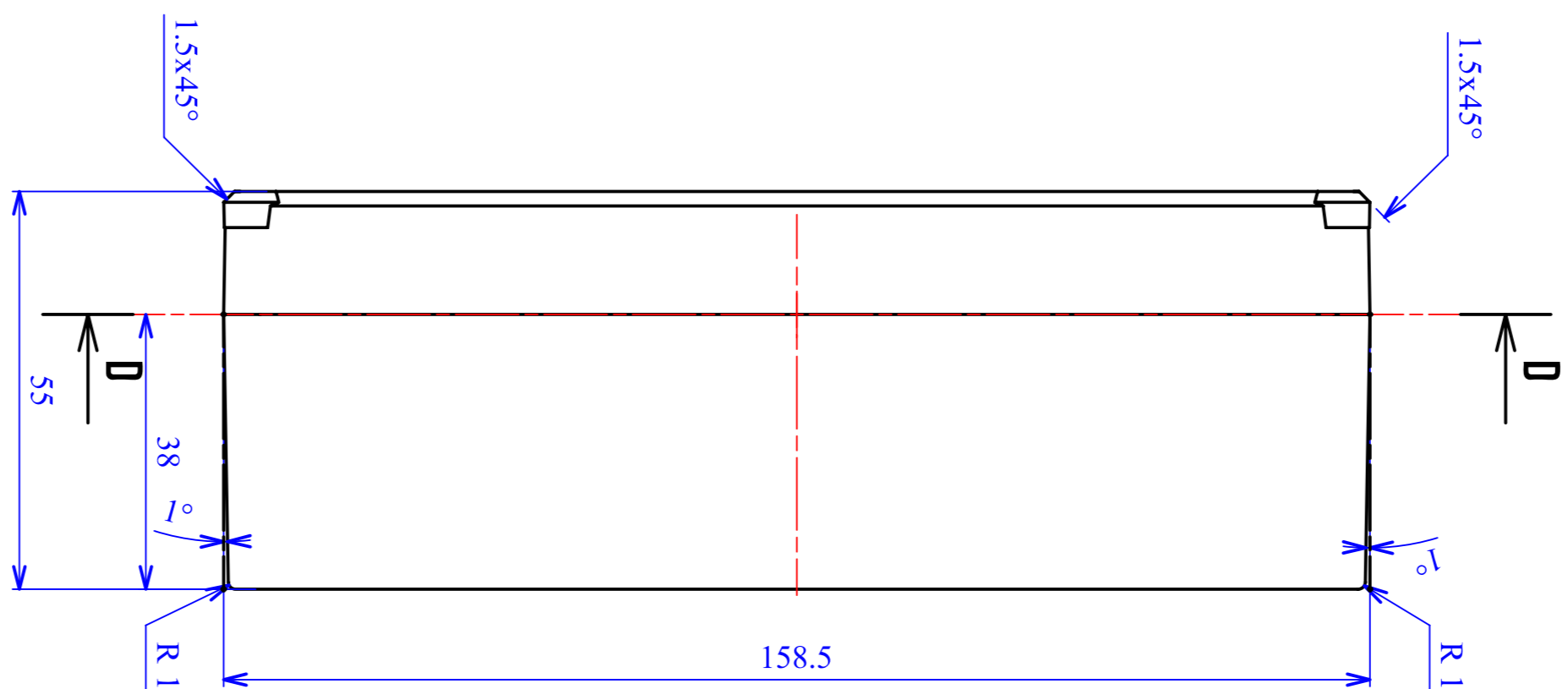
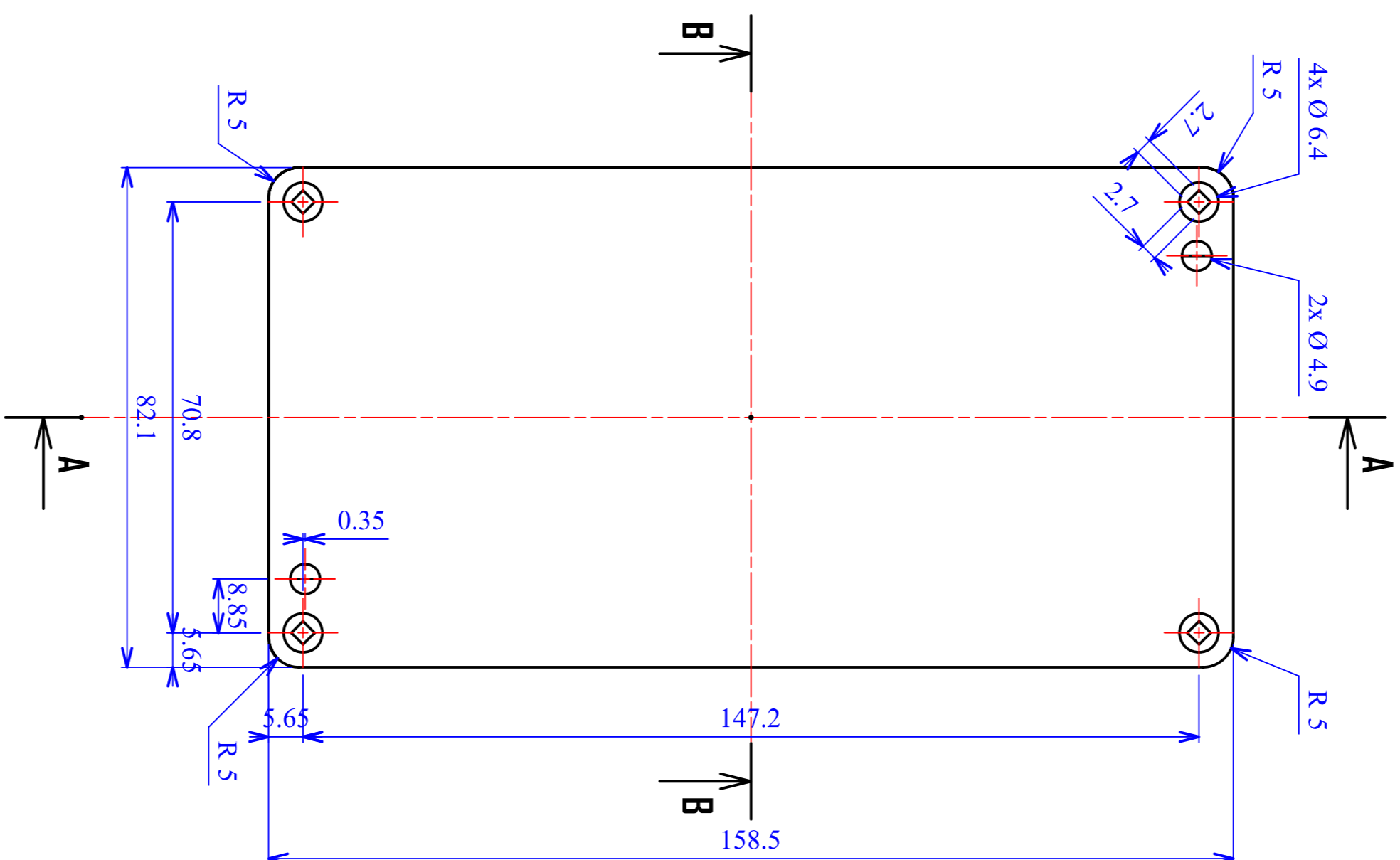
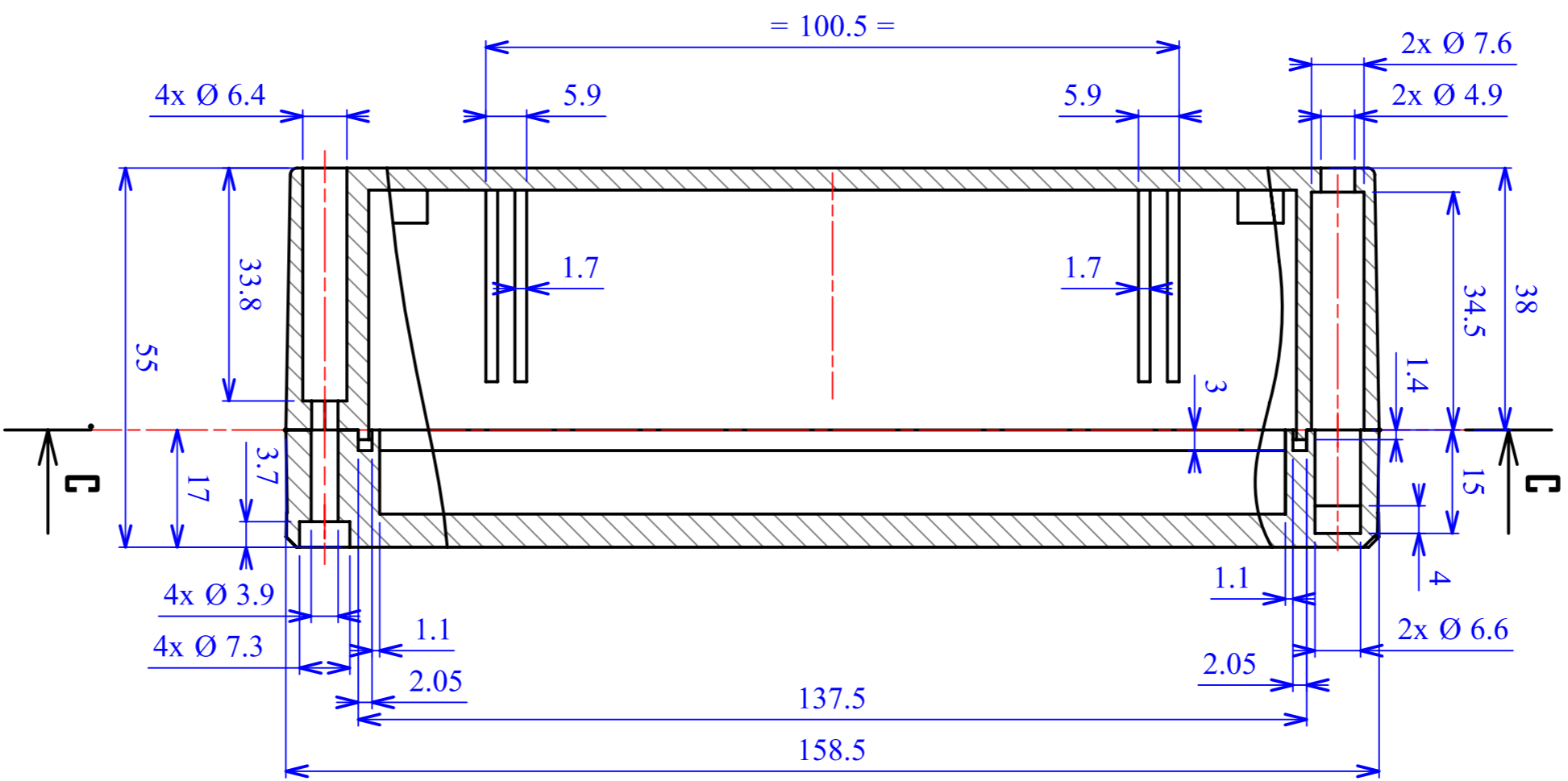
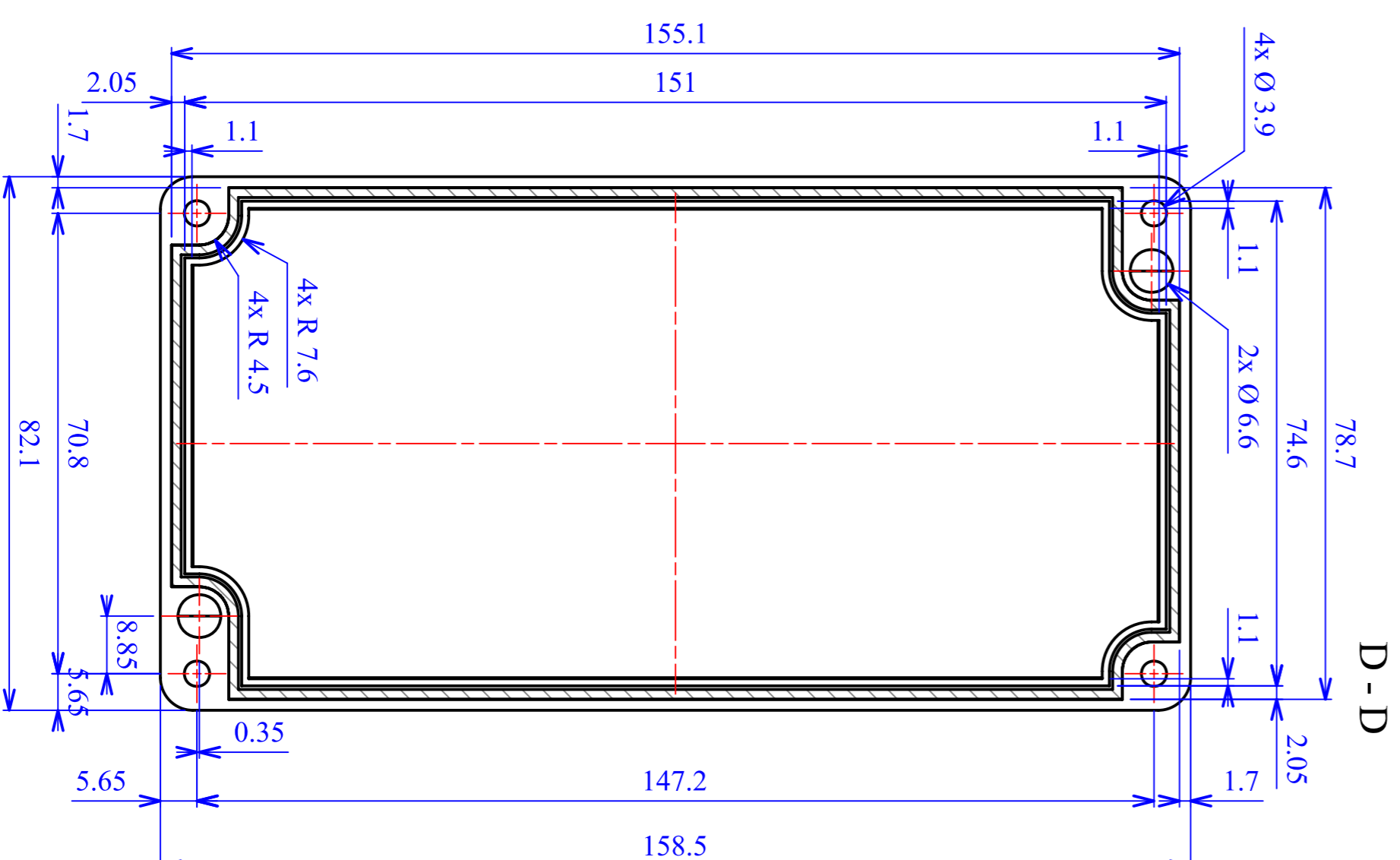


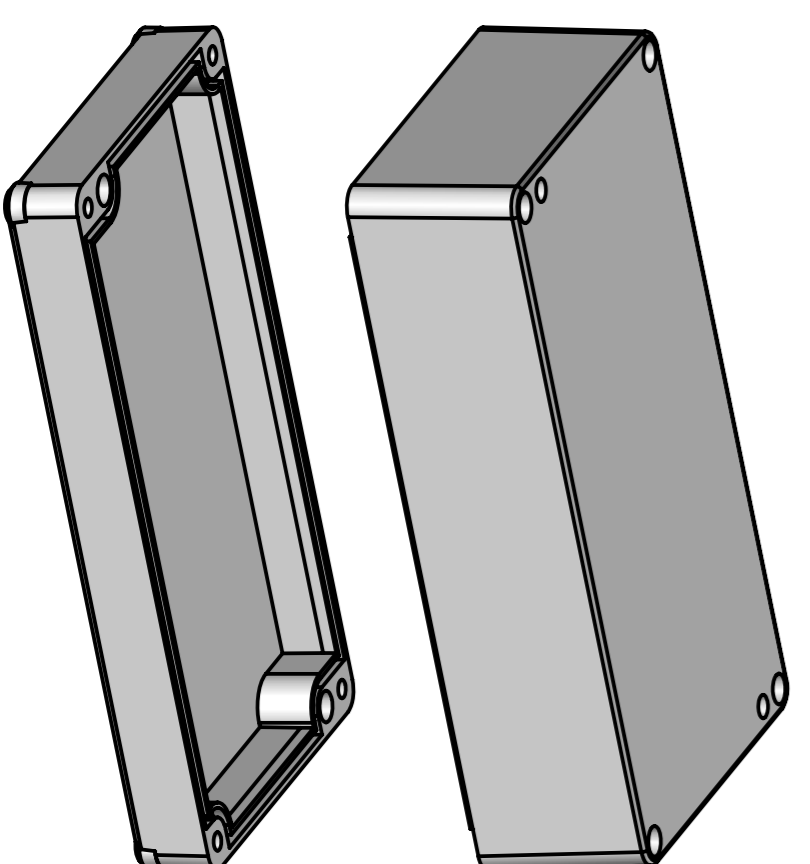
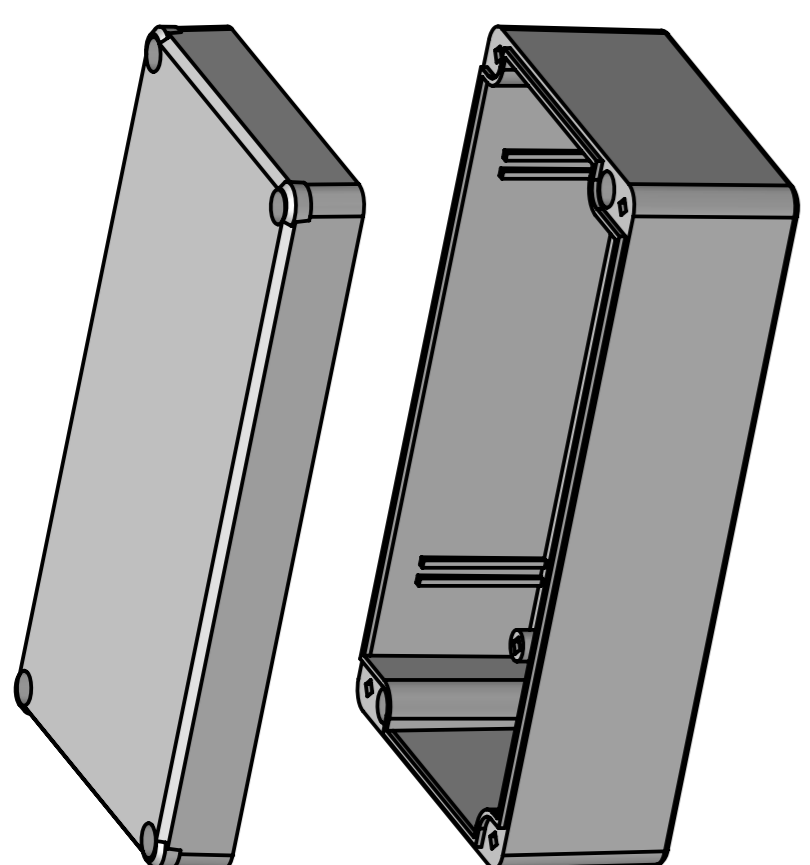
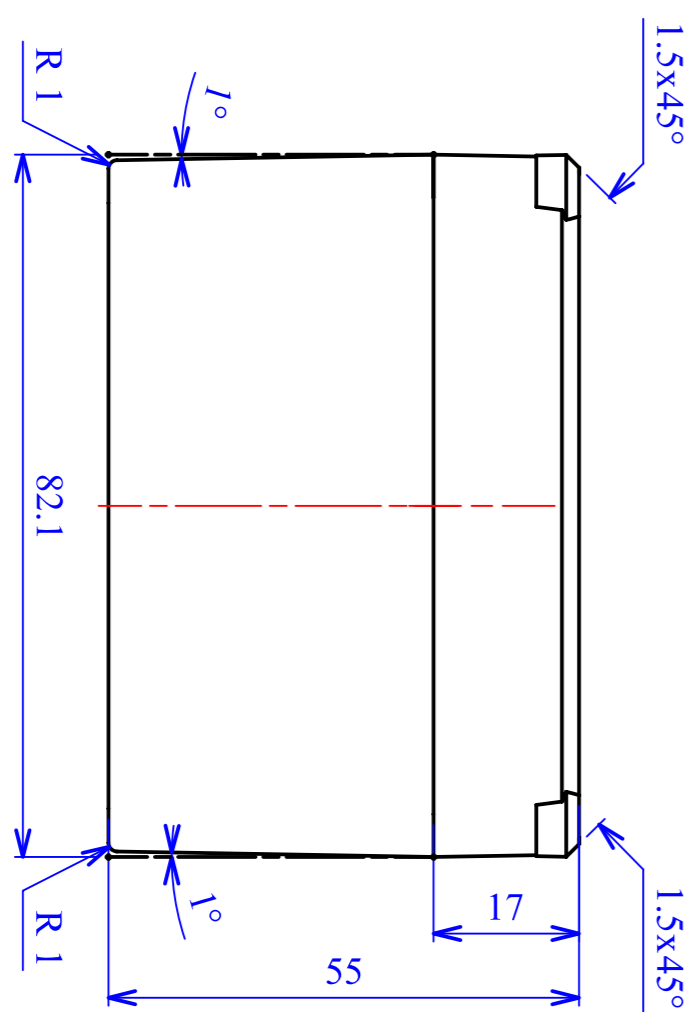
A-A

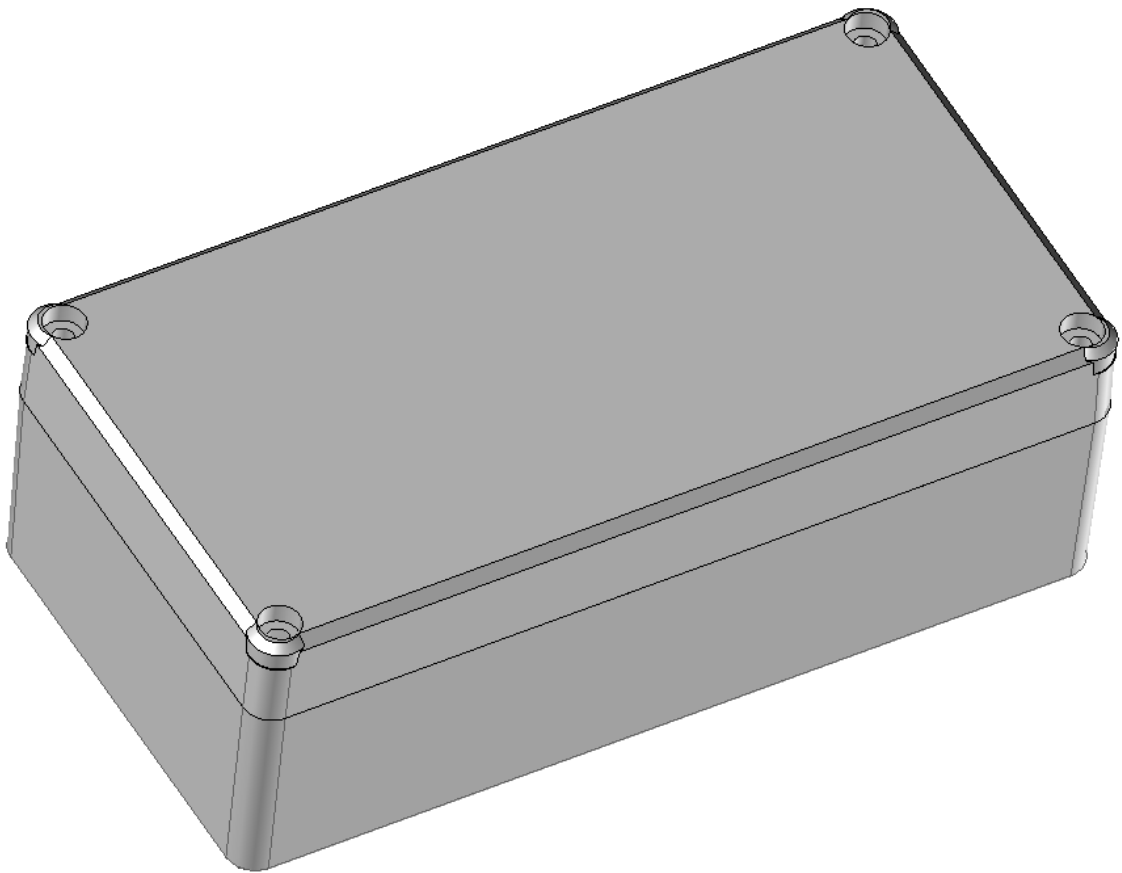
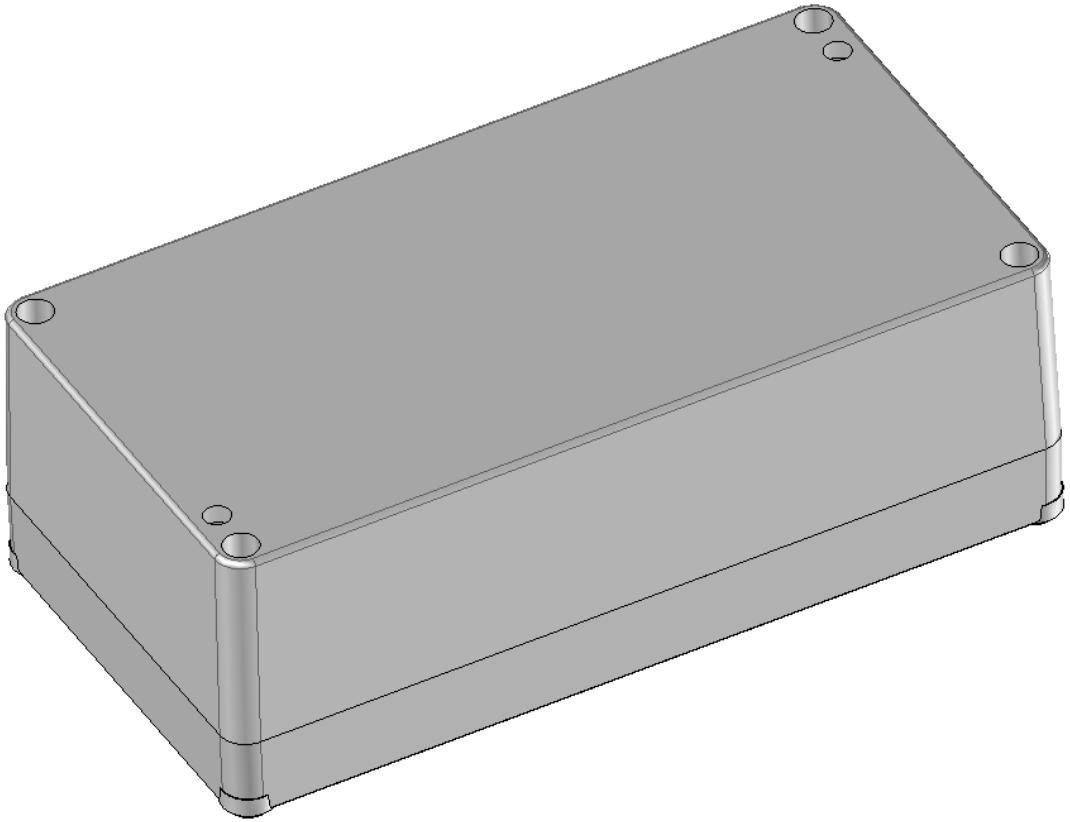


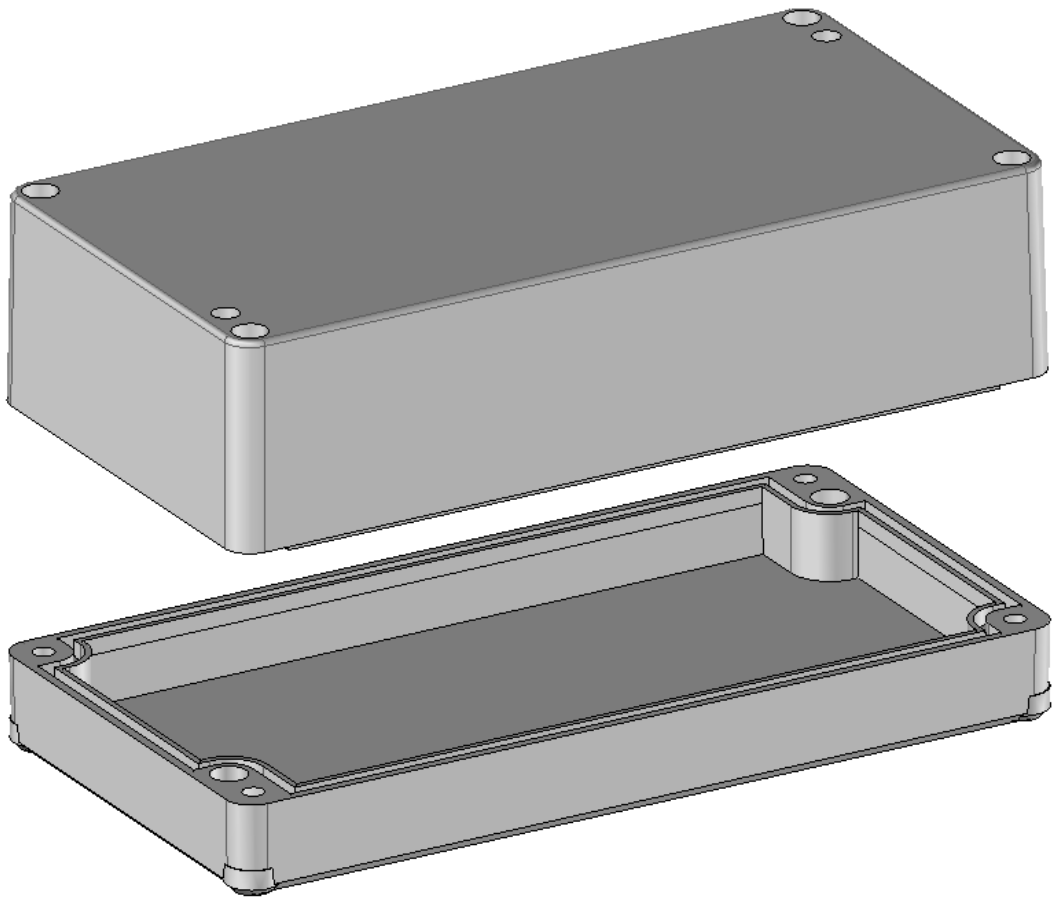
C-C

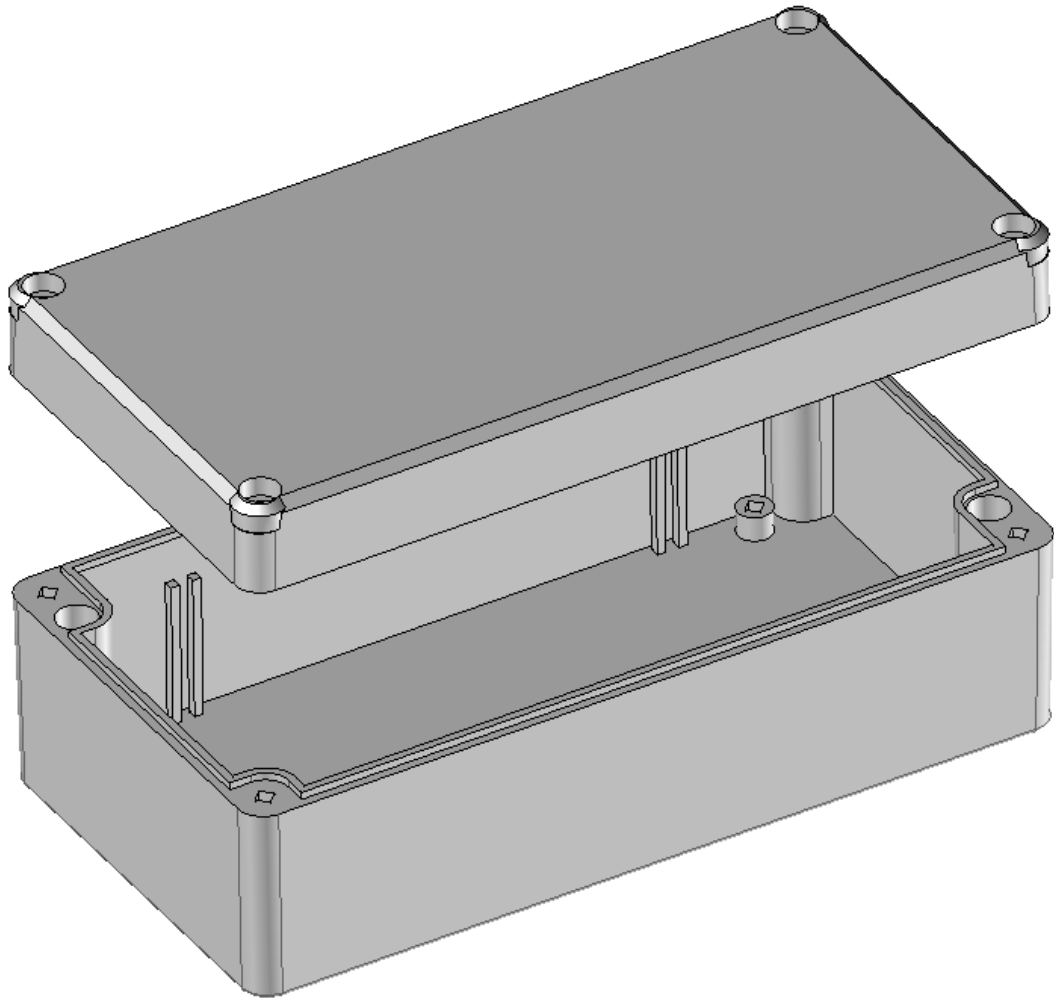


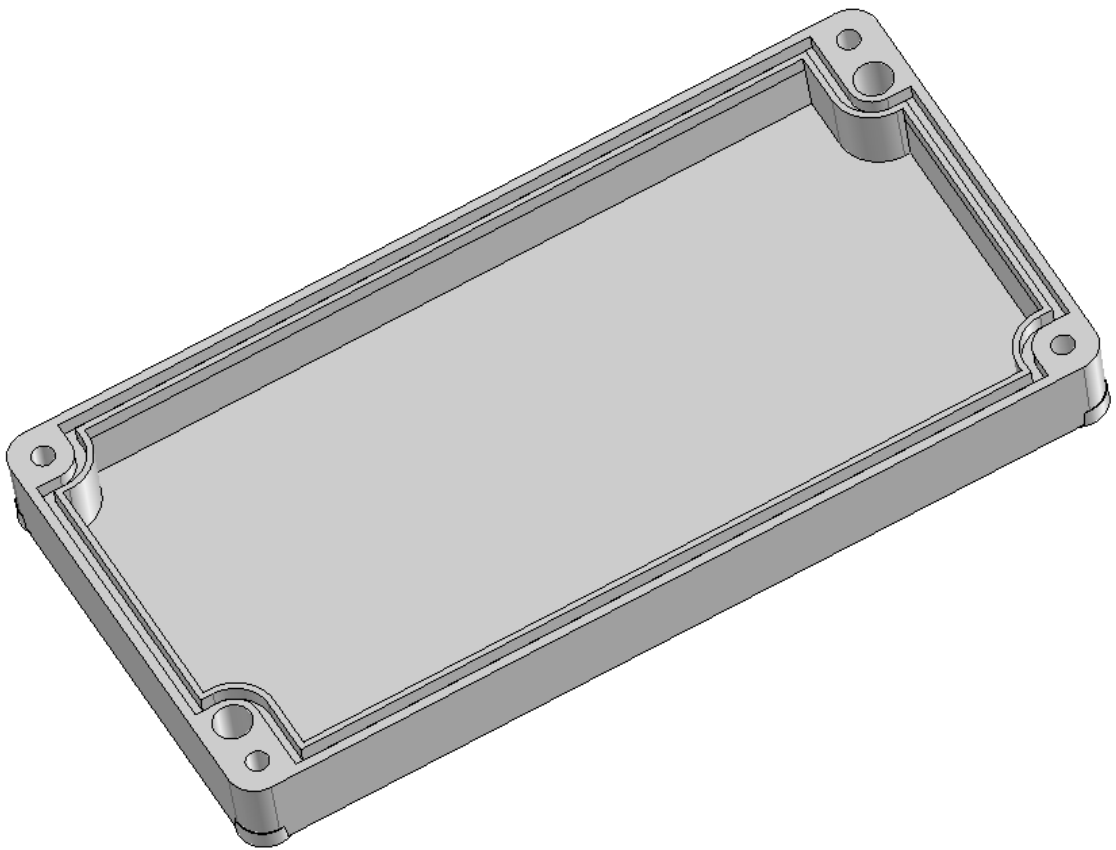
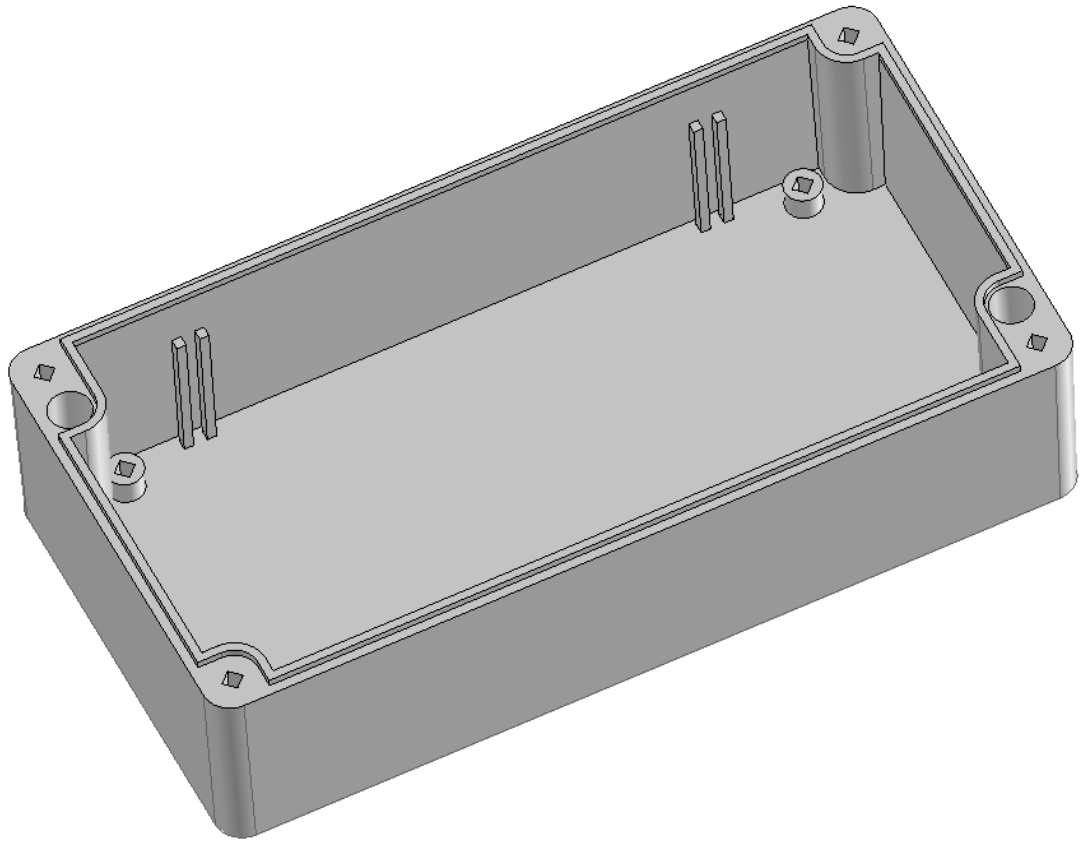
D-D



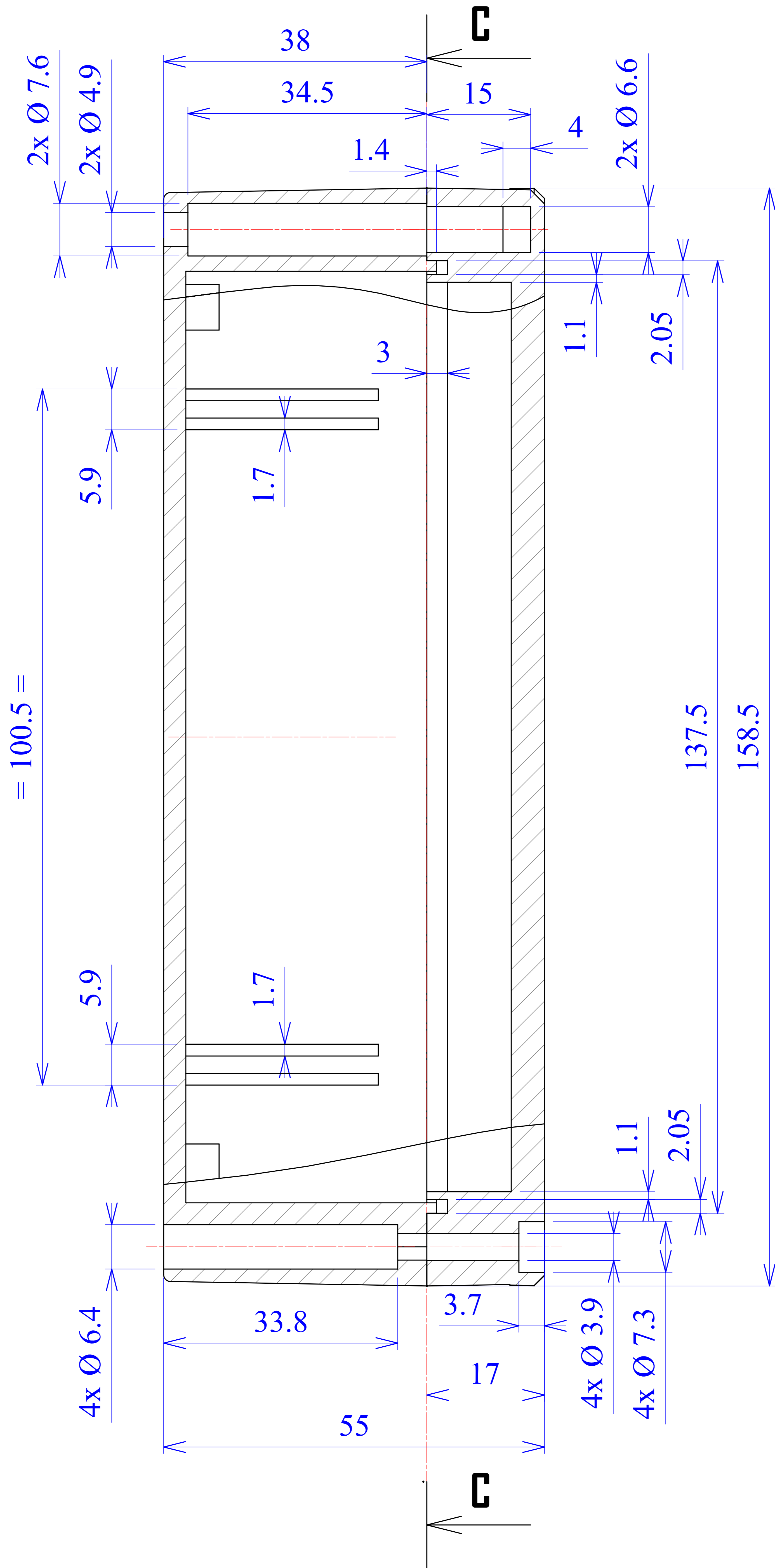


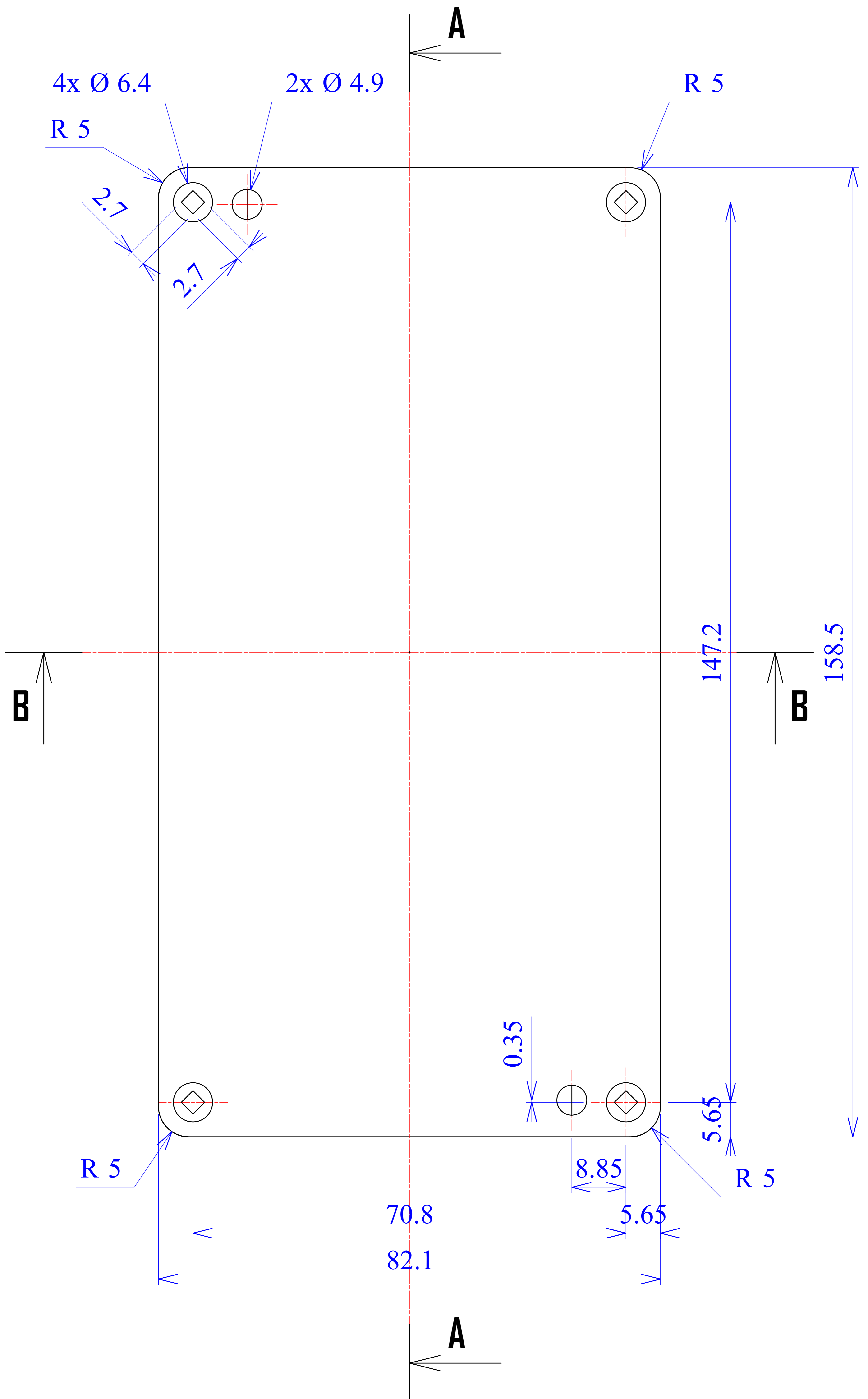


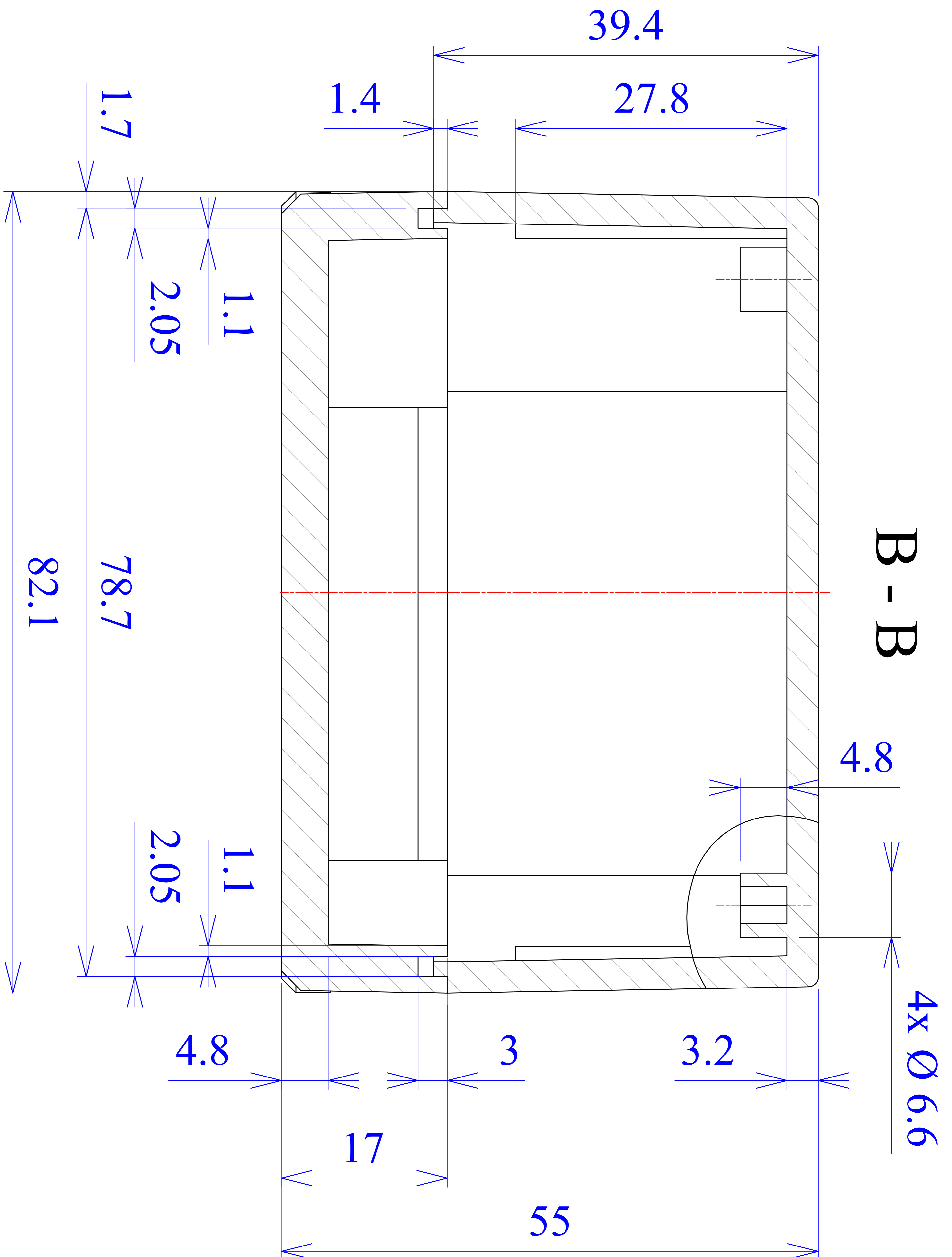




A - A

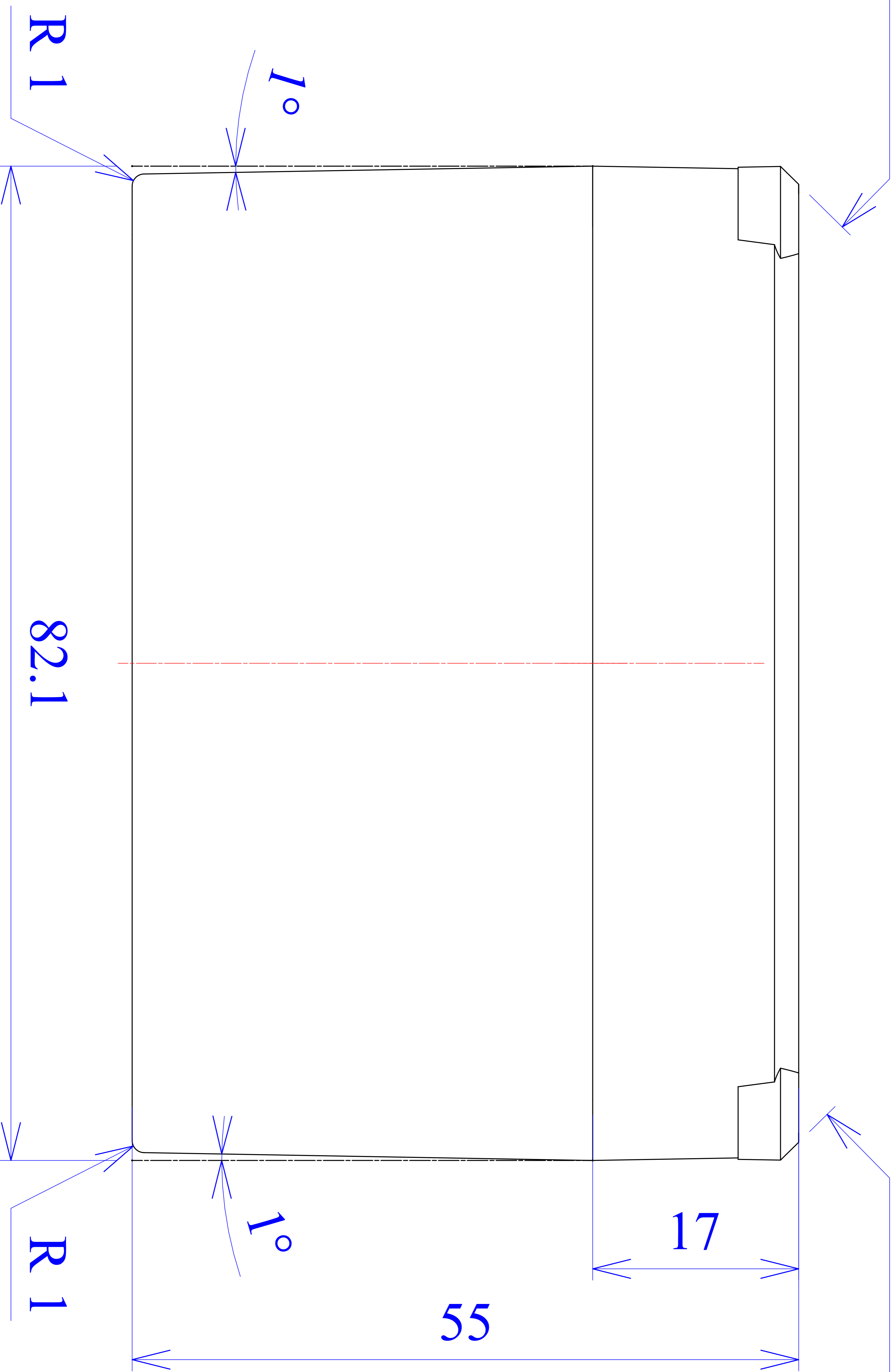


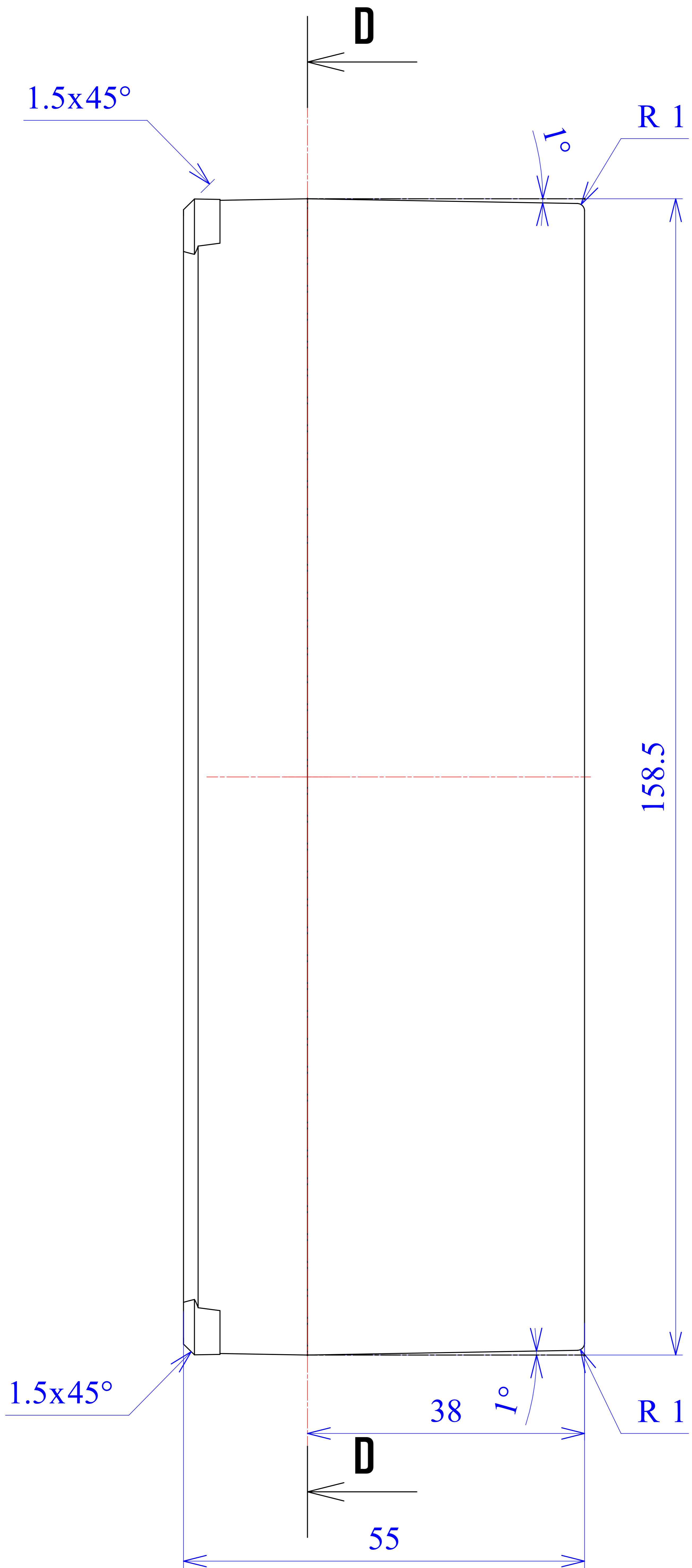




1.5x45°

1.5x45°





4x Ø 7.3

4x Ø 3.9

2.7

2.7

147.2

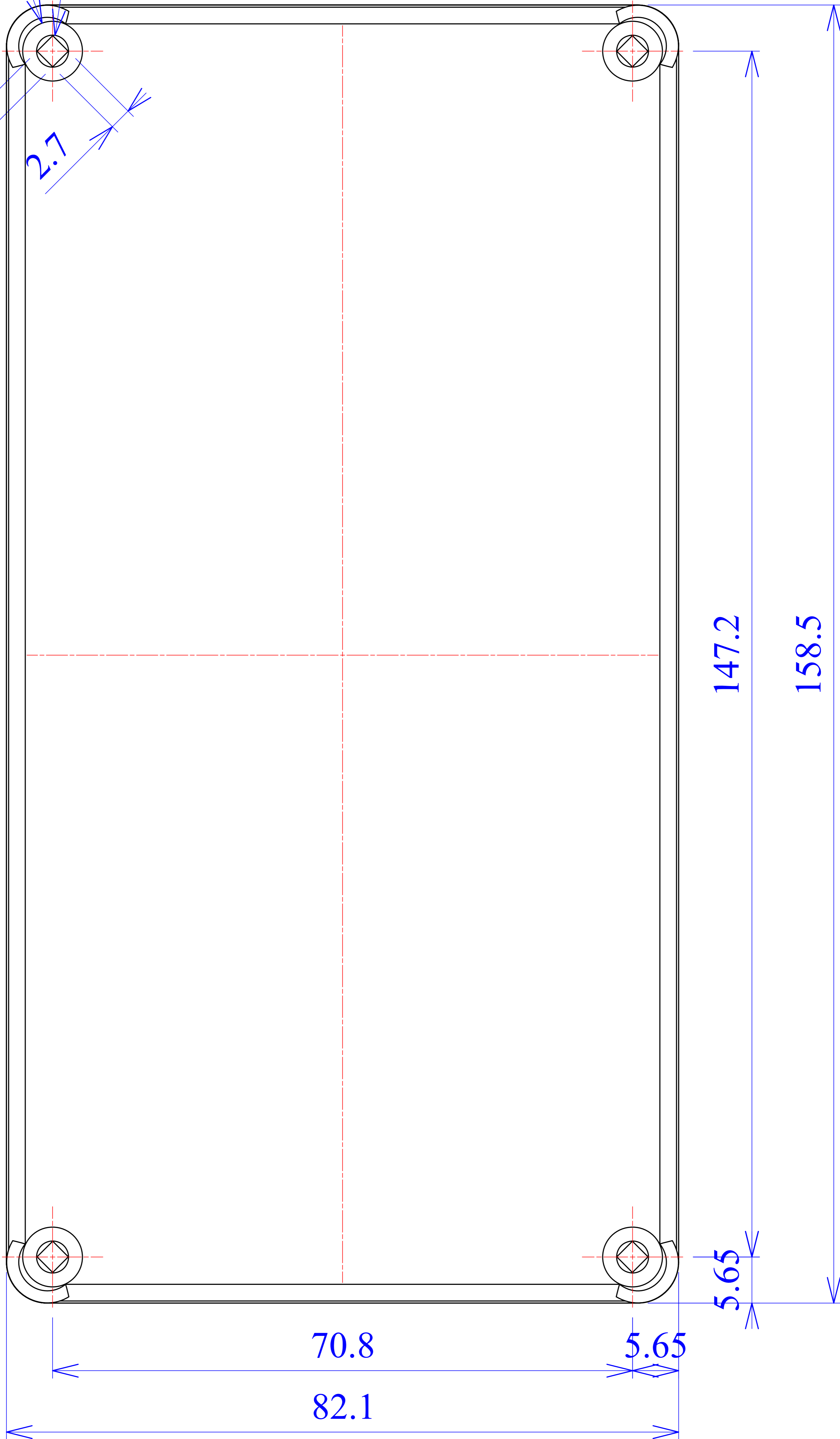
158.5

70.8

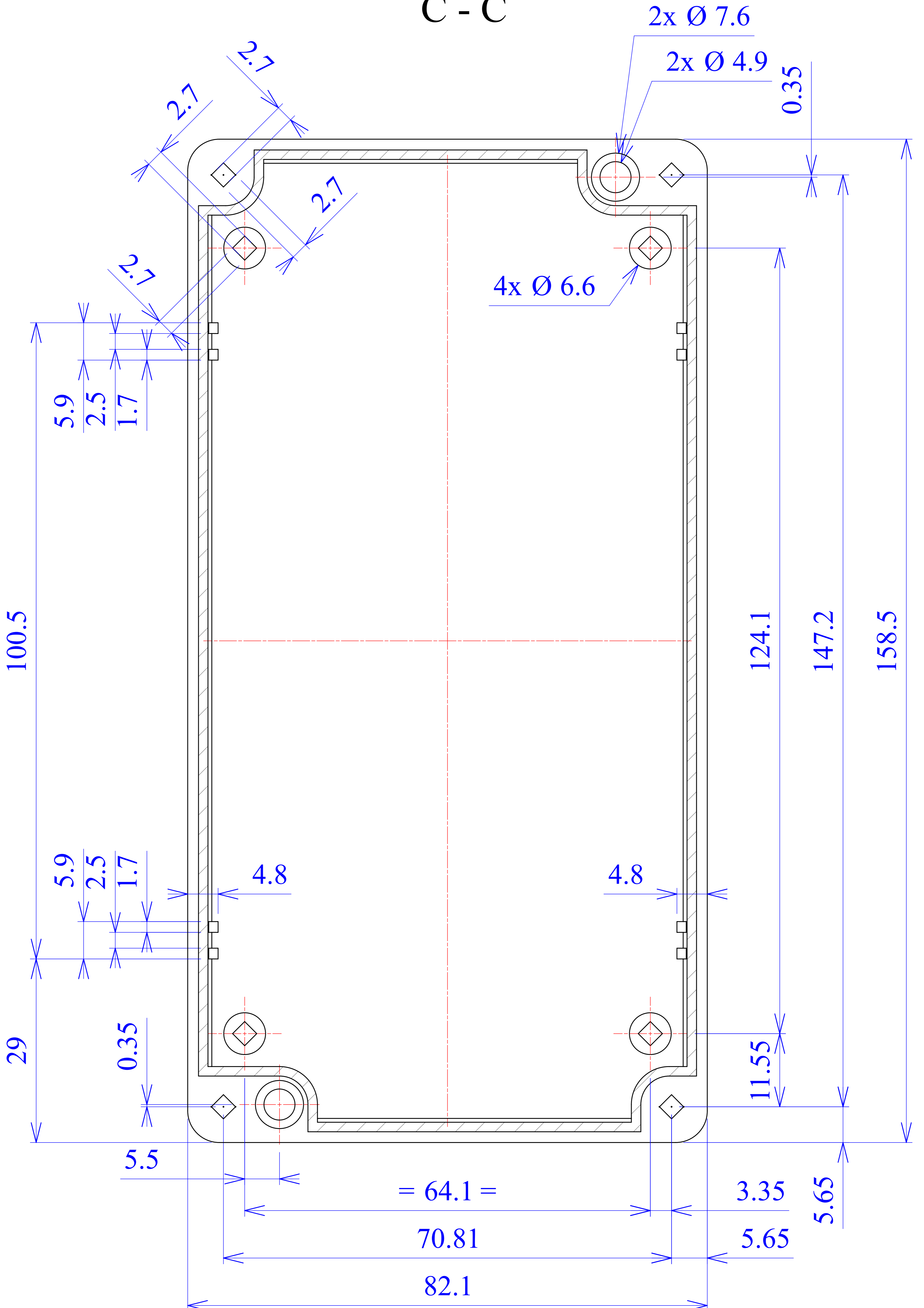
5.65

5.65

82.1



C - C



D - D

