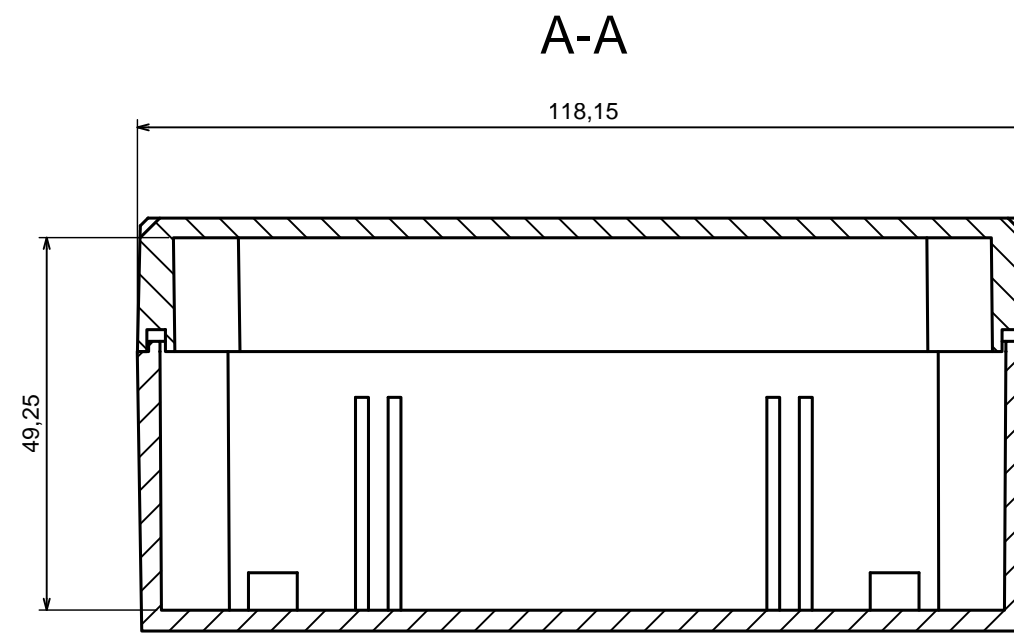


A |



All rights reserved, Copyright Kradex 2016

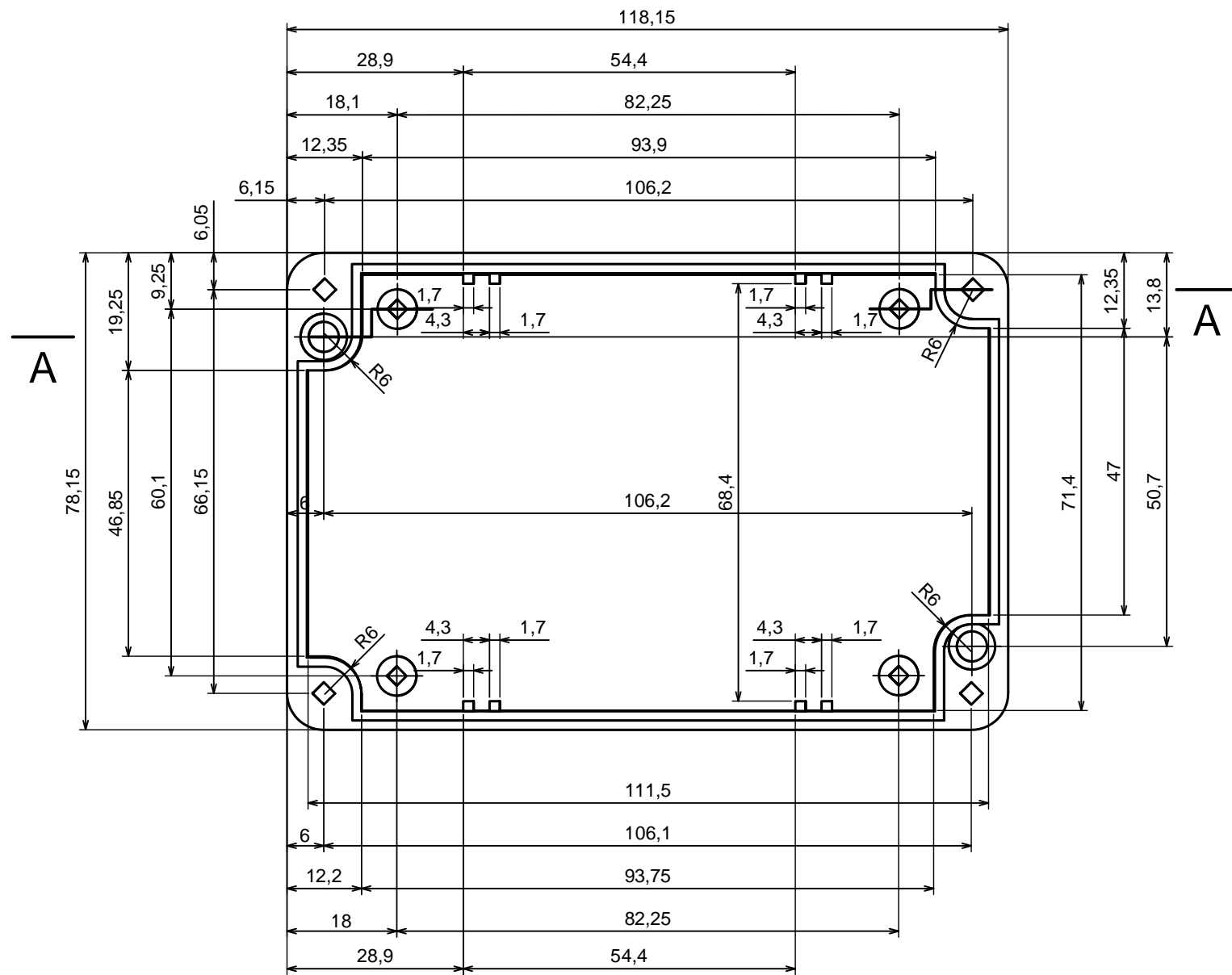
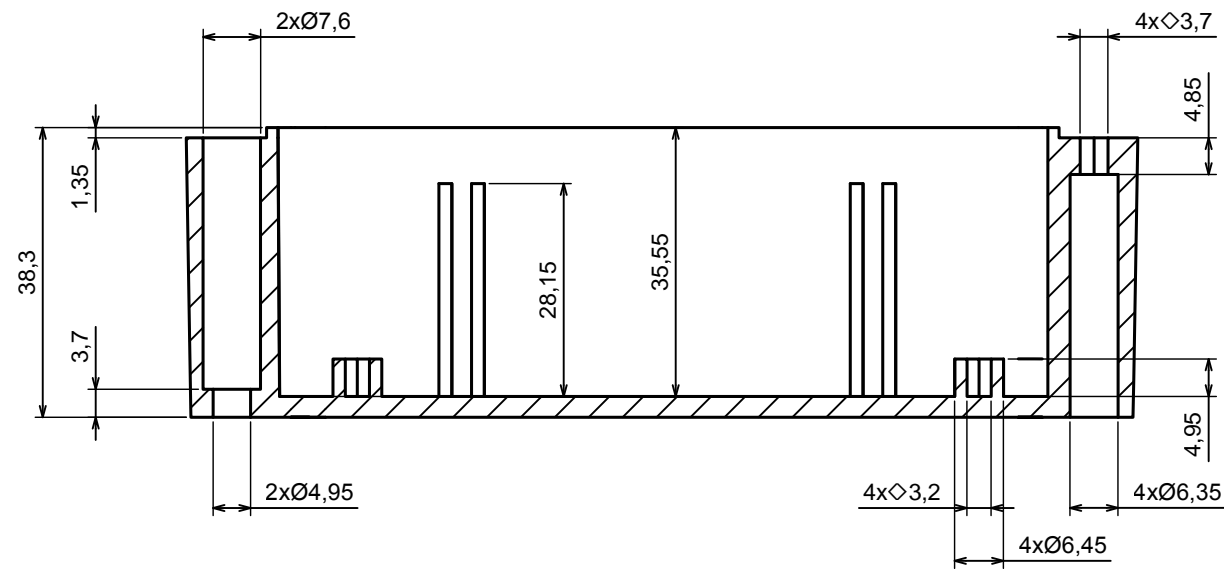
Product model Enclosure Z57 - assembly

Format: A3 Material: PS, ABS

Scale 1:1 Tolerance: +/- 0.5

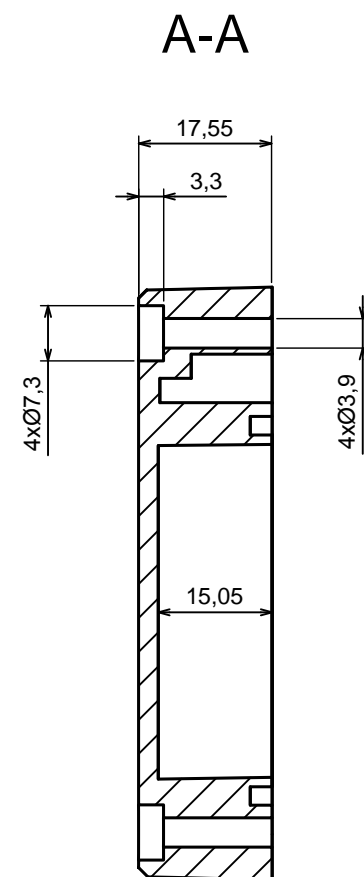
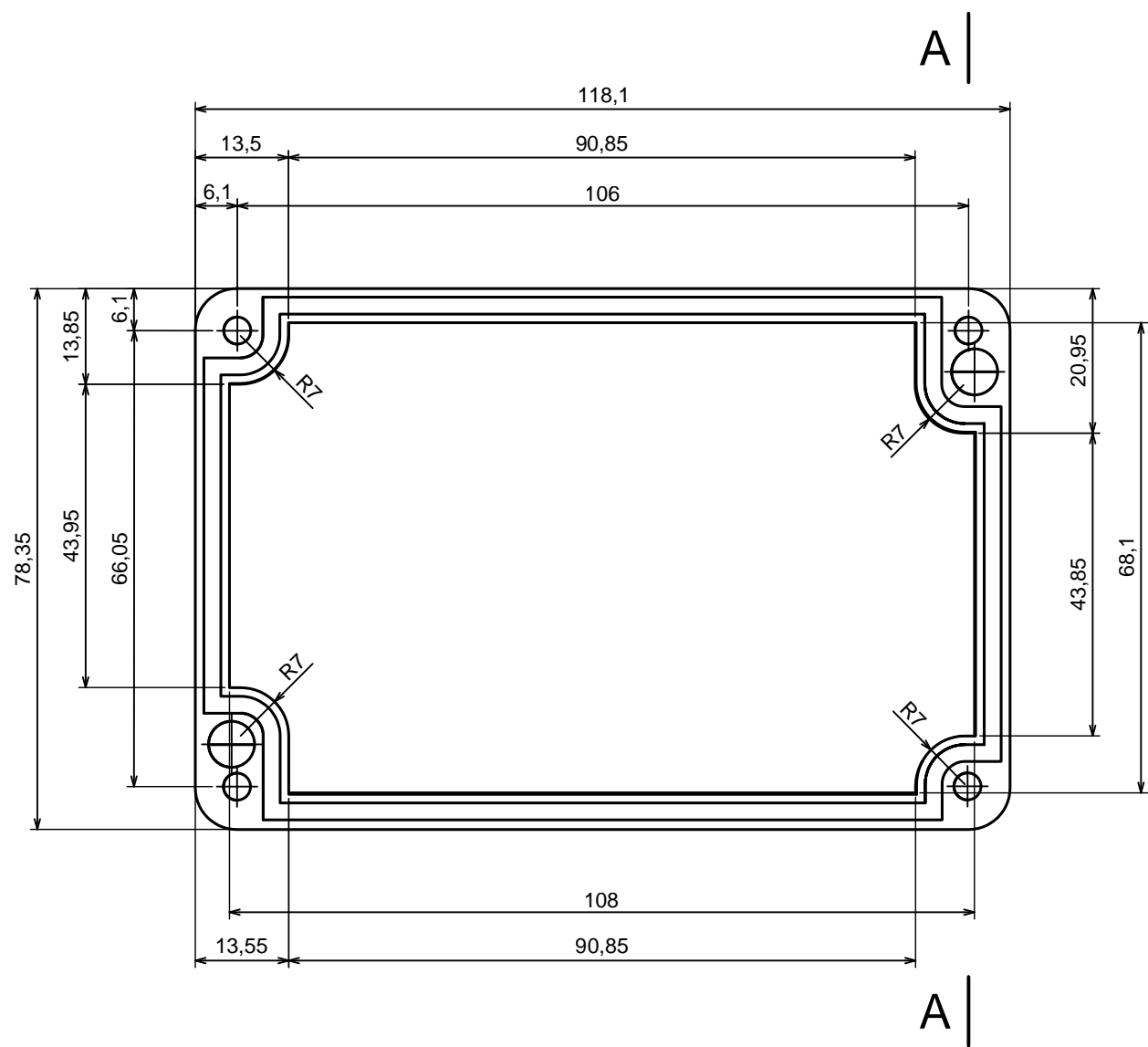


# A-A



All rights reserved, Copyright Kradox 2016	
Product model	Enclosure Z57 - base
Format: A3	Material: PS, ABS
Scale 1:1	Tolerance: +/- 0.5





All rights reserved, Copyright Kradox 2016

Product model: Enclosure Z57 - cover

Format: A3      Material: PS, ABS

Scale 1:1      Tolerance: +/- 0.5

