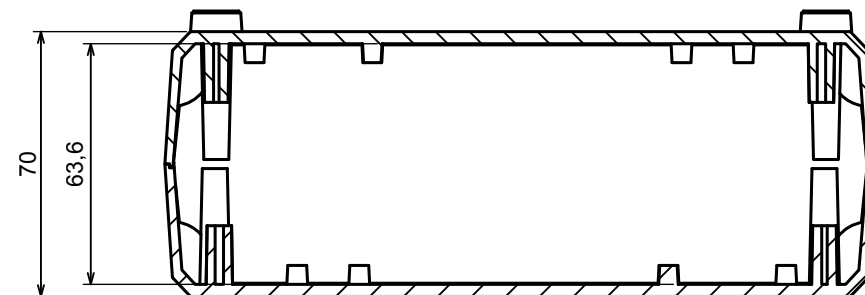

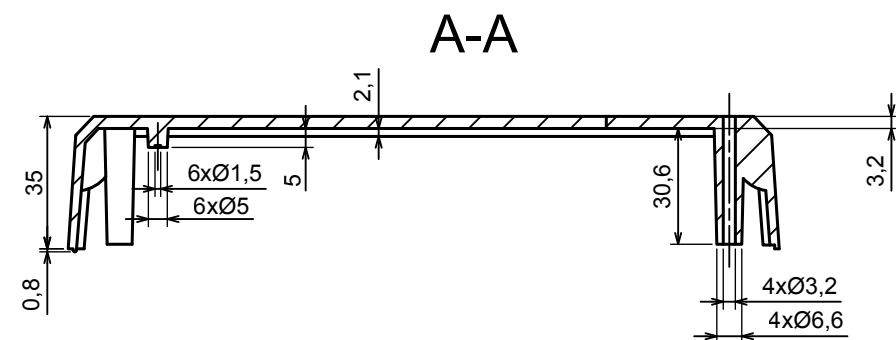
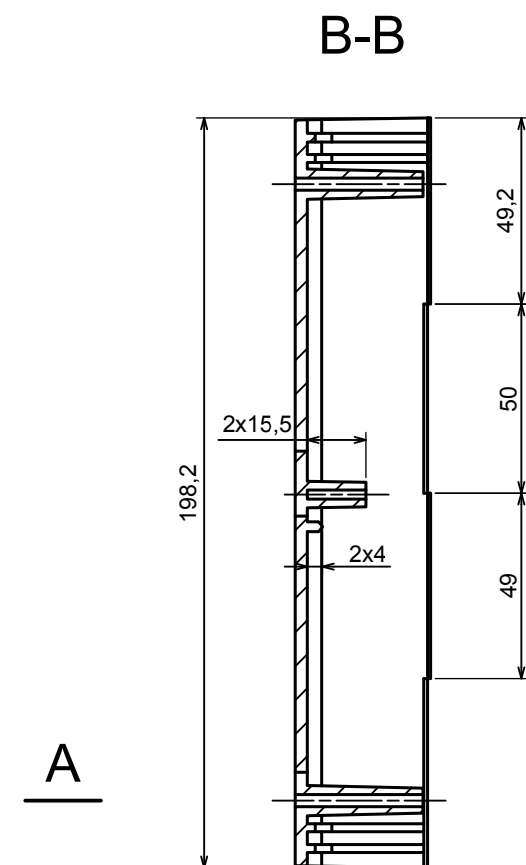
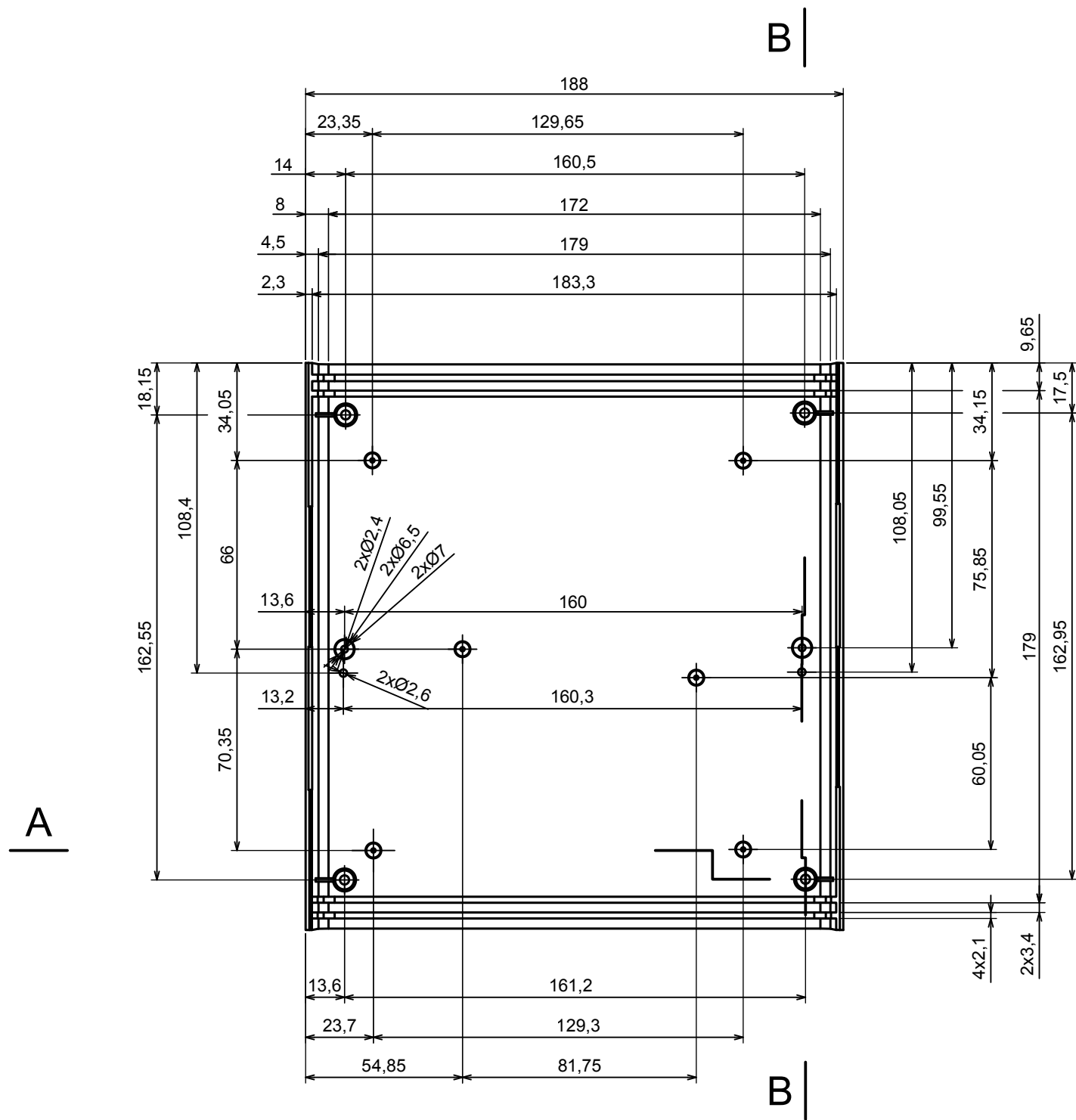



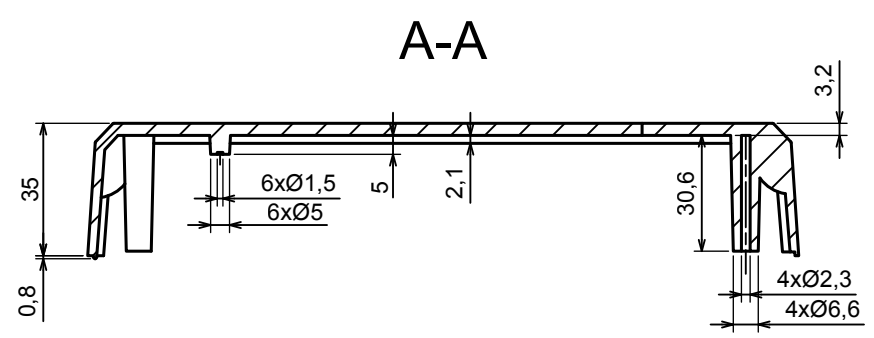
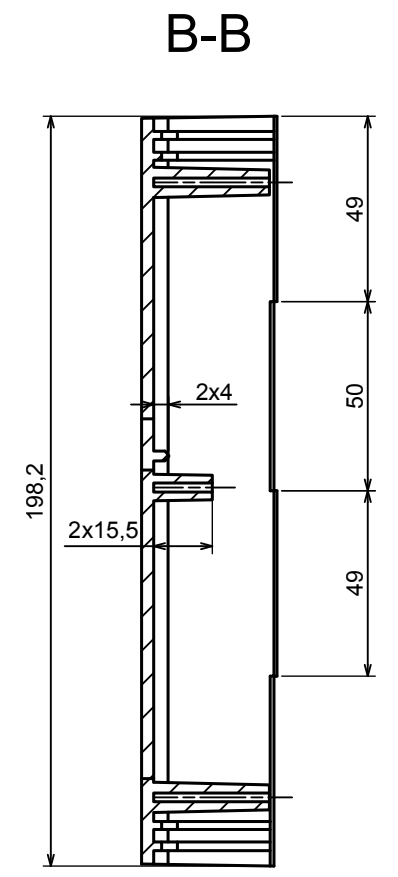
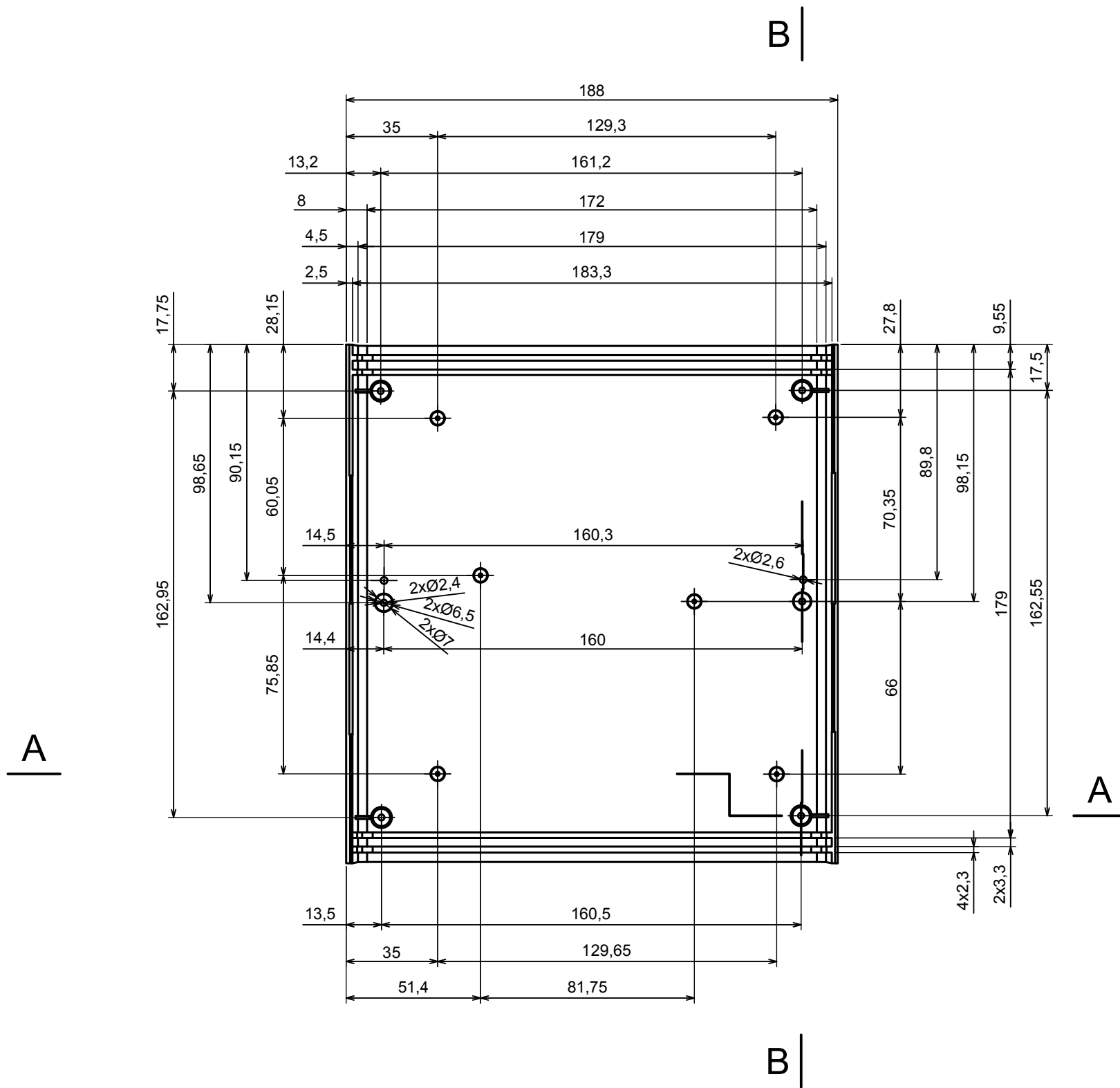
A-A




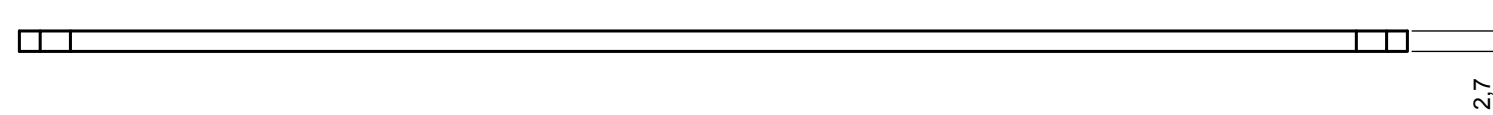
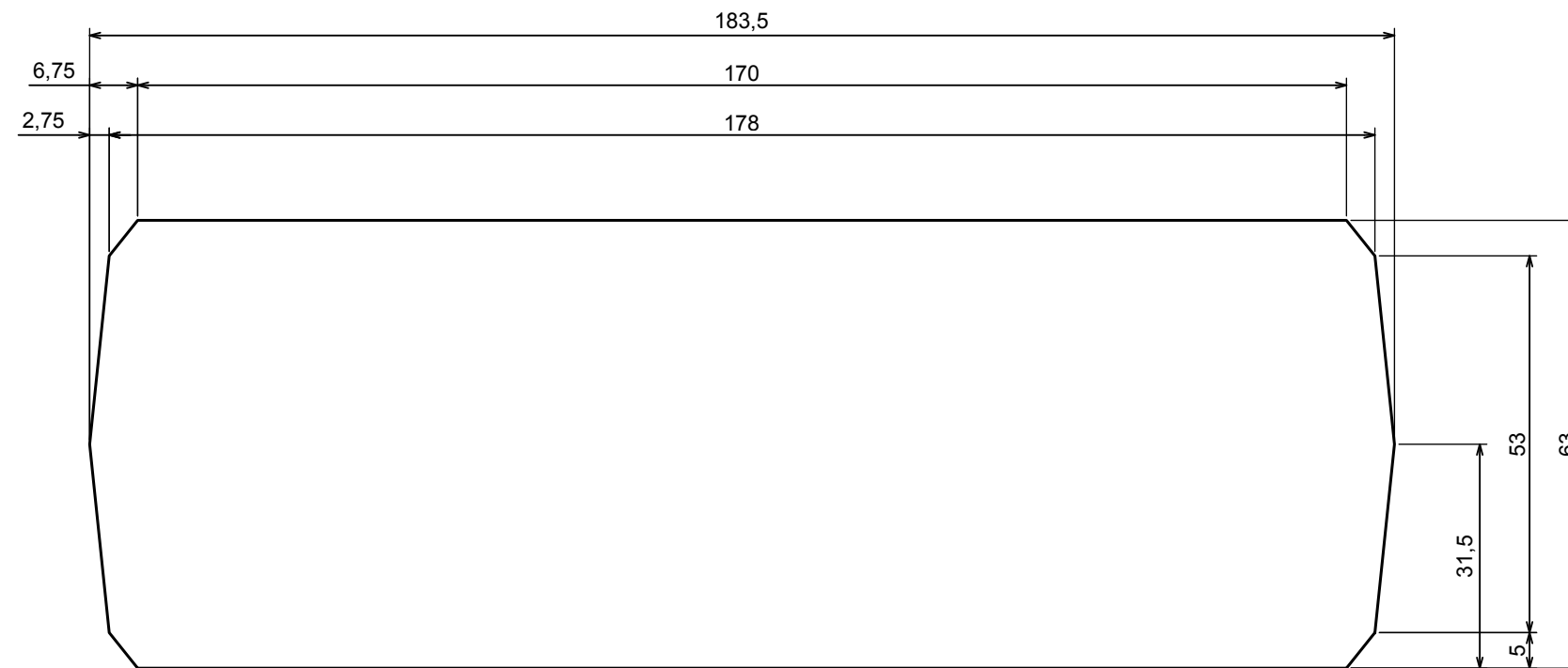
All rights reserved, Copyright Kradex 2017		
Product model	Enclosure Z1 - Assembly	
Format: A3	Material: PS, ABS	
Scale 1:2	Tolerance: +/- 0.5	




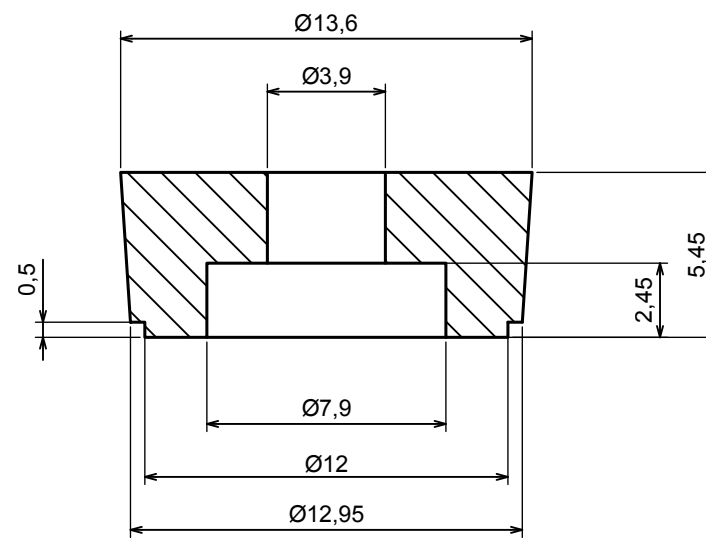
All rights reserved, Copyright Kradox 2017		
Product model	Enclosure Z1 - Base	
Format: A3	Material: PS, ABS	
Scale 1:1	Tolerance: +/- 0.5	



All rights reserved, Copyright Kradex 2017		
Product model	Enclosure Z1 - Cover	
Format: A3	Material: PS, ABS	
Scale 1:1	Tolerance: +/- 0.5	



All rights reserved, Copyright Kradox 2017		
Product model	Enclosure Z1 - Board	
Format: A3	Material: PS, ABS	
Scale 1:1	Tolerance: +/- 0.5	



All rights reserved, Copyright Kradox 2017

Product model Enclosure Z1 - Foot

Format: A3 Material: PS, ABS

Scale 4:1 Tolerance: +/- 0.5

