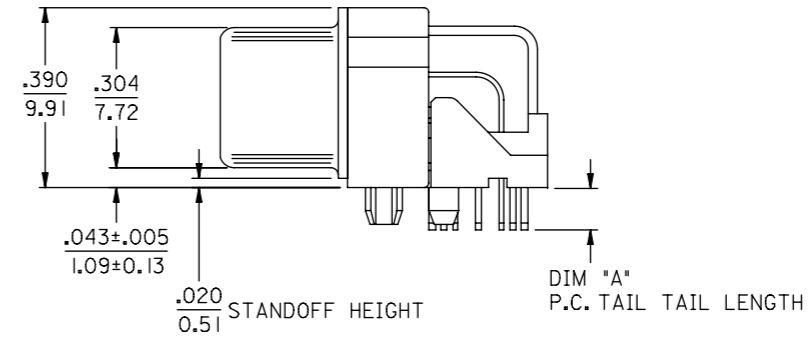


NOTES:

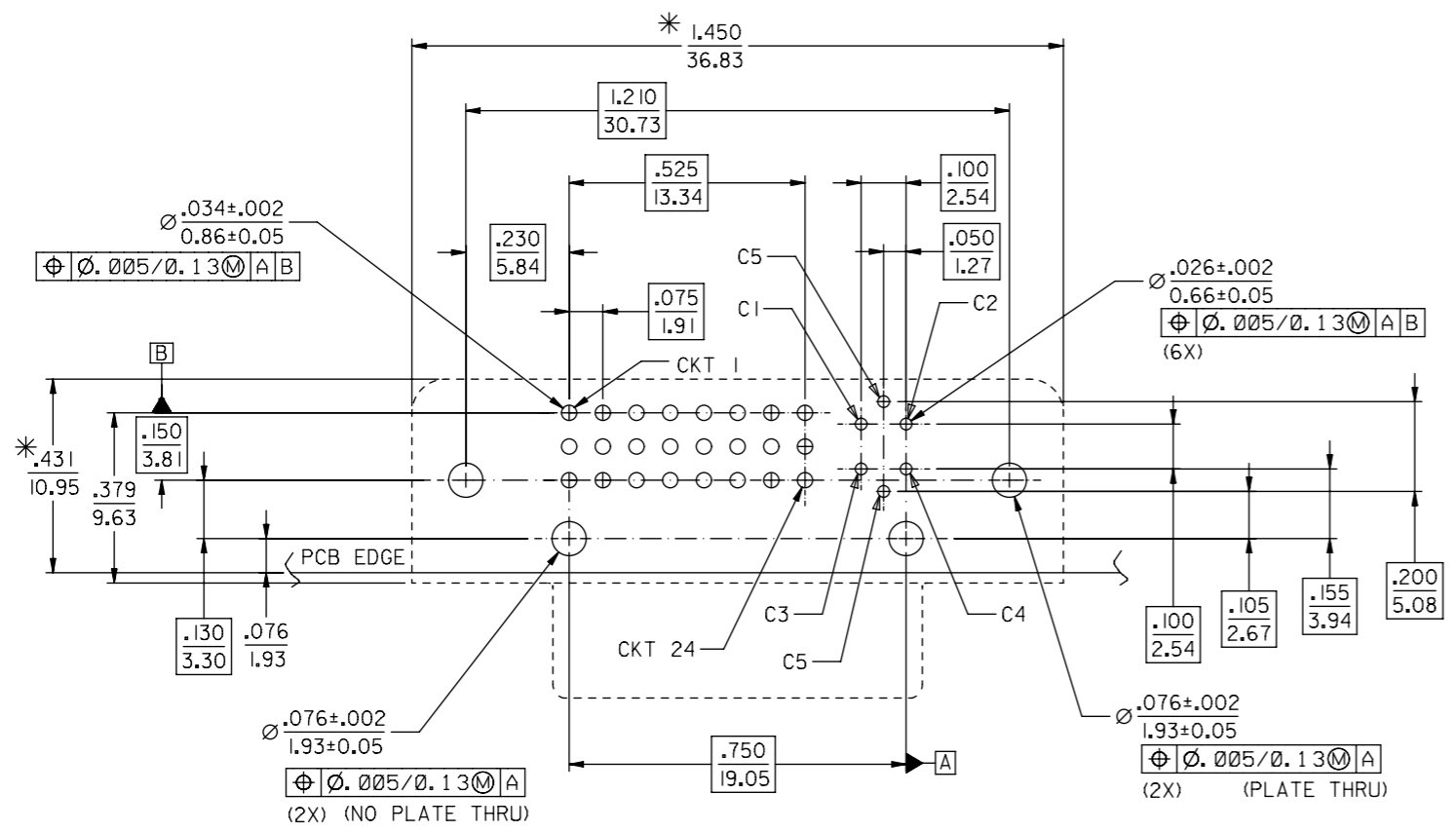
- MATERIAL:  
SHIELD: DEEP DRAW STEEL;  
HOUSING: LCP, UL94V-0, NATURAL (WHITE);  
TAIL ALIGNER: LCP, UL94V-0, NATURAL (WHITE);  
CONTACT: COPPER ALLOY.
  - PLATING: SEE SHEET 2.
  - PRODUCT CONFORMS TO MOLEX PRODUCT SPECIFICATION NUMBER PS-74320-001. REFER TO THIS SPECIFICATION FOR SPACING ON A P.C.B. OF TWO OR MORE CONNECTORS WHEN USING A CABLE OR AN ADAPTER ASSEMBLY.
  - SEE SHEET 2 FOR RECOMMENDED PANEL CUT-OUT AND P.C.B. LAYOUT.
  - PARTS WILL BE PACKAGED IN TRAYS PER PK-74320-010.
  - PRODUCT CONFORMS TO DDWG DVI SPECIFICATION. REFER TO THIS SPECIFICATION FOR CONNECTOR MATING DIMENSIONS.
  - RECOMMENDED MOUNTING HARDWARE IS MOLEX P/N 71781-0001 OR 82007-0300 OR 88780-6066. REFER TO PRODUCT SPECIFICATION NUMBER PS-74320-001 FOR THIS APPLICATION TORQUE REQUIREMENT FOR ASSMBLING MOUNTING HARDWARE.
- ⚠ CAVITY ID AND MANUFACTURING PLANT CODE.



PART NUMBER	PLATING OPTION	DIM A	DIM B
74320-1007	2	.123/3.12	.110/2.79
74320-1006	2	.110/2.79	.110/2.79
74320-1005	2	.050/1.27	2.03±0.51
74320-1004	2	.092/2.34	.080±.020
74320-1003	1	.123/3.12	.110/2.79
74320-1001	1	.050/1.27	2.03±0.51
74320-1000	1	.092/2.34	.080±.020

<p>QUALITY SYMBOLS</p> <p>FA = 0</p> <p>FE = 0</p> <p>FB = 0</p> <p>▼ = 0</p> <p>∇ = 0</p> <p>⊗ = 0</p> <p>■ = 0</p> <p>▽ = 0</p>				<p>THIS DRAWING CONTAINS INFORMATION THAT IS PROPRIETARY TO MOLEX ELECTRONIC TECHNOLOGIES, LLC AND SHOULD NOT BE USED WITHOUT WRITTEN PERMISSION</p>				<p>DIMENSION UNITS: INCH</p> <p>SCALE: 1:1</p>		<p><b>molex</b></p> <p>DVI - INTERGRATED RIGHT ANGLE, RECEPTACLE CONNECTOR</p>			
<p>CHANGE SHELL PLATING</p> <p>EC NO: 118825</p> <p>DRWN: XQZHANG</p> <p>CHK'D: XQZHANG</p> <p>REV APPR: AYIN</p>		<p>2016/08/16</p> <p>2016/08/15</p> <p>2017/07/10</p>		<p>GENERAL TOLERANCES (UNLESS SPECIFIED)</p> <p>ANGULAR TOL ± 1.0 °</p> <p>4 PLACES ± 0.01</p> <p>3 PLACES ± 0.01</p> <p>2 PLACES ± 0.01</p> <p>1 PLACE ±</p> <p>0 PLACES ±</p>		<p>DRWN BY: XQZHANG</p> <p>DATE: 2014/12/10</p> <p>CHK'D BY: XQZHANG</p> <p>DATE: 2014/12/09</p> <p>APPR BY: AYIN</p> <p>DATE: 2015/02/09</p>		<p>PRODUCT CUSTOMER DRAWING</p>					
<p>DRAFT WHERE APPLICABLE MUST REMAIN WITHIN DIMENSIONS</p>		<p>DRAWING SIZE: A3</p>		<p>THIRD ANGLE PROJECTION</p>		<p>SERIES: 74320</p> <p>MATERIAL NUMBER: SEE TABLE</p> <p>CUSTOMER: GENERAL MARKET</p>		<p>DOCUMENT NUMBER: SD-74320-001</p> <p>DOC TYPE: PSD</p> <p>DOC PART: 000</p> <p>SHEET NUMBER: 1 OF 2</p>					

RELEASE STATUS	RELEASE DATE
----------------	--------------

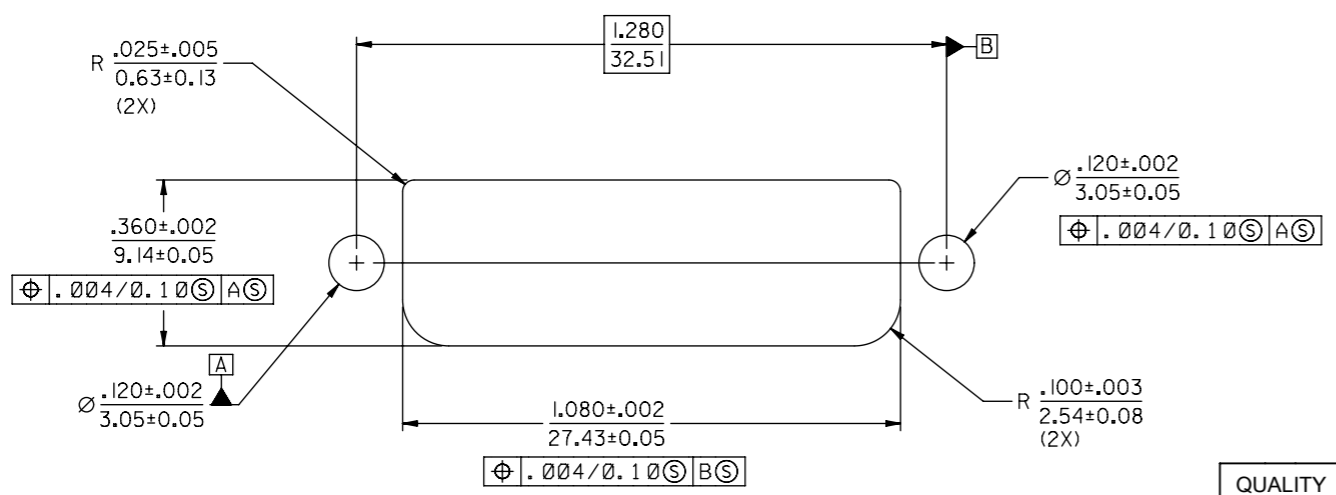


RECOMMENDED PCB LAYOUT

\* THESE DIMENSIONS REPRESENT CONNECTOR OVERLAY ON PCB.

PLATING OPTIONS:  
 PLATING OPTION #1:  
 OUT SHIELD -- 60u"/(1.5um) MIN. SOLDERABLE NICKEL OVER  
 30u"/(0.75um) MIN. COPPER OVERALL.  
 .075"/(1.91mm) CONTACTS -- 30u"/(0.75um) MIN. SELECT GOLD AND  
 100u"/(2.50um) MIN. SELECT PURE TIN  
 OVER 50u"/(1.27um) MIN. NICKEL OVERALL.  
 .100"/(2.54mm) CONTACTS -- 30u"/(0.75um) MIN. SELECT GOLD AND  
 100u"/(2.50um) MIN. SELECT PURE TIN  
 OVER 50u"/(1.27um) MIN. NICKEL OVERALL.

PLATING OPTION #2:  
 OUT SHIELD -- 60u"/(1.5um) MIN. SOLDERABLE NICKEL OVER  
 30u"/(0.75um) MIN. COPPER OVERALL.  
 .075"/(1.91mm) CONTACTS -- SELECT GOLD FLASH AND  
 100u"/(2.50um) MIN. SELECT PURE TIN  
 OVER 50u"/(1.27um) MIN. NICKEL OVERALL.  
 .100"/(2.54mm) CONTACTS -- SELECT GOLD FLASH AND  
 100u"/(2.50um) MIN. SELECT PURE TIN  
 OVER 50u"/(1.27um) MIN. NICKEL OVERALL.



RECOMMENDED PANEL CUT-OUT  
 PANEL THICKNESS: .030"-.040"

THIS DRAWING CONTAINS INFORMATION THAT IS PROPRIETARY TO MOLEX ELECTRONIC TECHNOLOGIES, LLC AND SHOULD NOT BE USED WITHOUT WRITTEN PERMISSION											
QUALITY SYMBOLS		CHANGE SHELL PLATING		GENERAL TOLERANCES (UNLESS SPECIFIED)		DIMENSION UNITS		SCALE			
▽A	= 0	EC NO: 118825	2016/08/16	ANGULAR TOL ± 1.0 °		INCH		1:1			
▽E	= 0	DRWN: XQZHANG	2016/08/15	4 PLACES ± 0.01		DRWN BY		DATE		DVI - INTERGRATED RIGHT ANGLE, RECEPTACLE CONNECTOR	
▽F	= 0	CHK'D: XQZHANG	2016/08/15	3 PLACES ± 0.01		XQZHANG		2014/12/10			
▽	= 0	APPR: AYIN	2017/07/10	2 PLACES ± 0.01		CHK'D BY		DATE		PRODUCT CUSTOMER DRAWING	
▽C	= 0			1 PLACE ±		XQZHANG		2014/12/09			
▽	= 0			0 PLACES ±		APPR BY		DATE		SERIES: 74320 MATERIAL NUMBER: SEE TABLE CUSTOMER: GENERAL MARKET	
▽	= 0			DRAFT WHERE APPLICABLE MUST REMAIN WITHIN DIMENSIONS		AYIN		2015/02/09			
▽	= 0					DRAWING SIZE		THIRD ANGLE PROJECTION		DOCUMENT NUMBER: SD-74320-001 DOC TYPE: PSD DOC PART: 000 SHEET NUMBER: 2 OF 2	
▽	= 0					A3					

RELEASE STATUS	RELEASE DATE
----------------	--------------