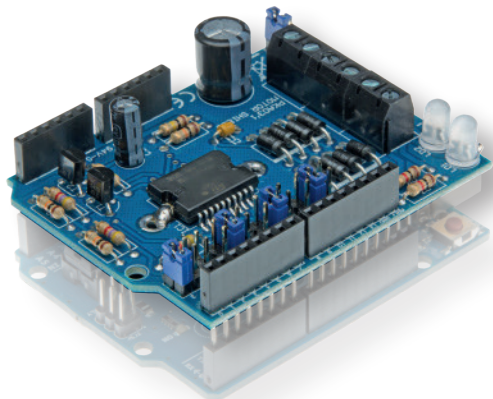


VMA03

MANUAL HVMA03*1

Motor & Power shield Arduino®

velleman®
MODULES



Power shield that can drive: relays, solenoids, DC and stepper motors

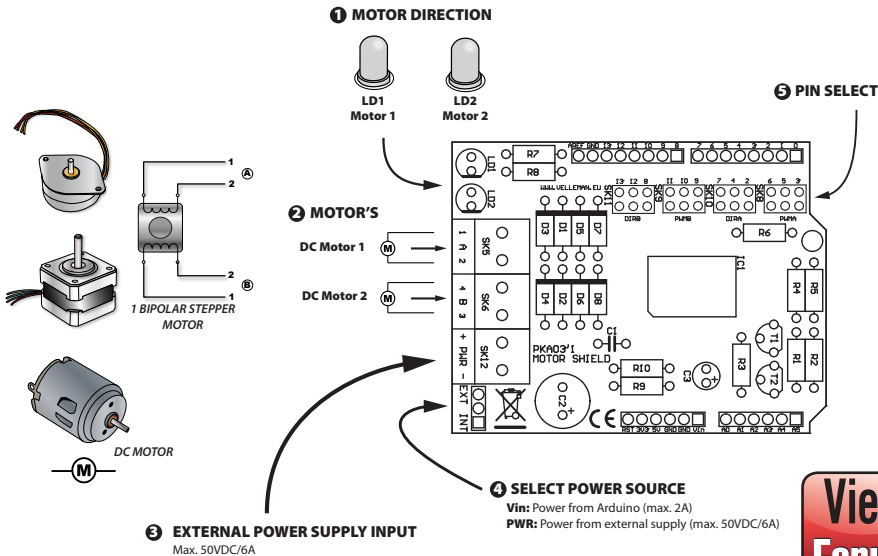
Features

- For use with Arduino Due™, Arduino Uno™, Arduino Mega™
- Based on L298P dual full bridge driver IC
- Outputs: up to 2 DC motors or 1 bipolar stepper motor
- Power supply: external power or power from Arduino board

Specifications

- Power supply: 7..46VDC
- Max current: 2A
- Dimensions: 68 x 53mm / 2.67 x 2.08"

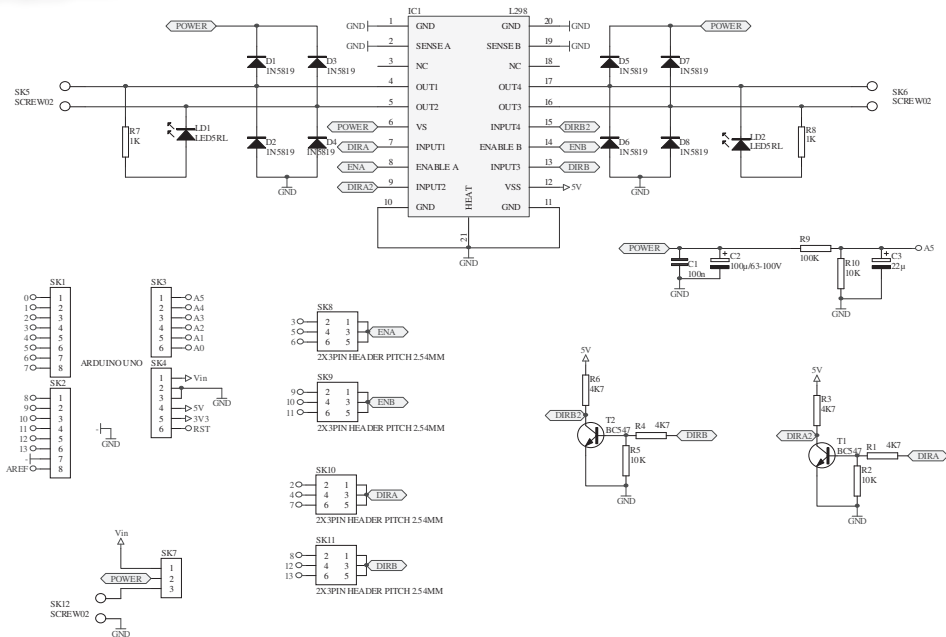


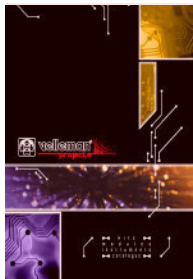


DOWNLOAD SAMPLE CODE FROM KA03 PAGE ON WWW.VELLEMAN.BE



Participate our Velleman Projects Forum





The new Velleman Projects catalogue is
now available. Download your copy here:

www.vellemanprojects.eu



Modifications and typographical errors reserved - © Velleman nv. HVMA03
Velleman NV, Legen Heirweg 33 - 9890 Gavere.