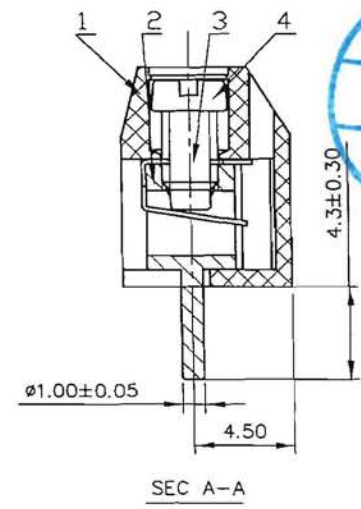
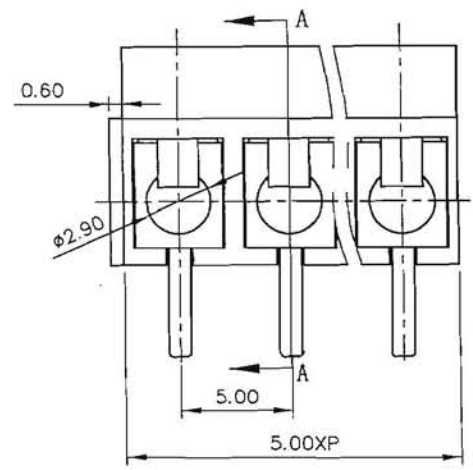
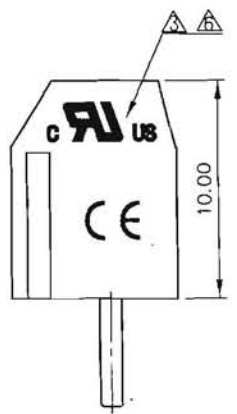
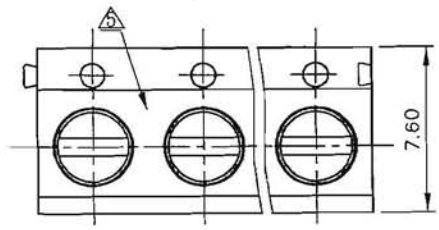


REVISION RECORD				
REV	ECN	DESCRIPTION	DRFT	
△		Drawing Revise	Haoyh	
△		修改料号	CSX	12/28/06
△		品名料号增加环保标志 (H)	LJH	12/03/07
△	11-0160	去掉工艺槽	ZXX	06/30/11
△	12-0270	Drawing Revise	YHG	12/29/12
△	13-0204	增加CE料号	JEX	10/21/13



- NOTES:
- 1.DIMENSION SHALL BE INTERPRETED PER ASME Y14.5-2009.
 - 2.PITCH: 5.0MM, POLES: 03P;
 - 3.RATED VOLTAGE/CURRENT: UL 300V/15A IEC 250V/17.5A
 - 4.OPERATION TEMPERATURES: -30℃~+120℃
 - 5.WITHSTANDING VOLTAGE: AC2000V/1MIN.
 - 6.INSULATION RESISTANCE: 5000MΩ/DC1000V
 - 7.WIRE RANGE: 22~14AWG,1.5MM²
 - 8.TORQUE VALUE: M2.5, 3.0kgf.cm
 - 9.UNDIMENSIONED TOLERANCES:

PITCH RANGE IN MM		NOMINAL DIMENSION RANGE IN MM					
OVER 10 TO 6	OVER 24 TO 10	OVER 30 TO 30	OVER 60 TO 60	OVER 100 TO 100	OVER 150 TO 150	OVER 150 TO 150	
±0.10	±0.15	±0.25	±0.20	±0.30	±0.50	±0.70	
						±1.00	
						0.05/10	

ITEM	NAME OF PART	NO. OF PART	Q'TY	MATERIAL	NOTES
4	DG301-Screws	S000001420(H)	XX	Steel	Cr ³⁺ Zn
3	DG301-Spring	X000000250(H)	XX	Stainless steel	
2	DG301(A)-pin header	4004B00010(H)	XX	Brass	Sn
1	DG301-5.0 Housing	4004A0YXXA(H)	1	PBT	UL94V-0

DETACHED LISTS	TOLERANCES EXCEPT AS NOTED		FINISH:	
	.X ±	.X* ±	PART NO.:	NAME:
	.XX ±	.XX* ±	DG30150XXP1Y00AH	DG301-5.0-XXP-1Y-00A(H)
	.XXX ±	.XXX* ±		
ANGLES ± 1°		APPD: Jean 02/19/14	TITLE: ASSEMBLE DRAWING	
THIRD ANGLE PROJECTION		CHKD: Aoyon 7/18/14	DRAWING NO.:	REV T7
		DRFT: WHZ	DO NOT SCALE DRAWING	SCALE 1:1 SHEET 1/1