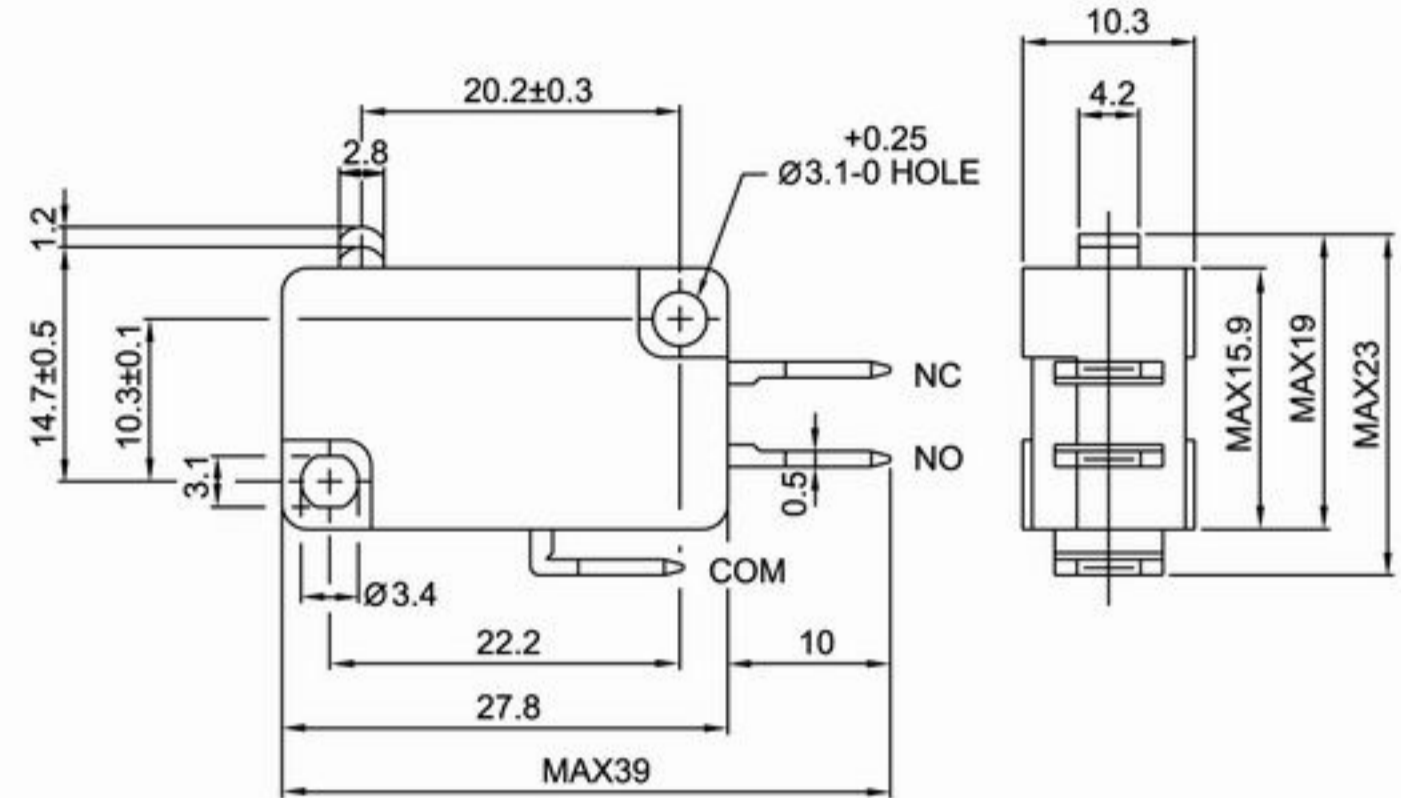


VM SERIES

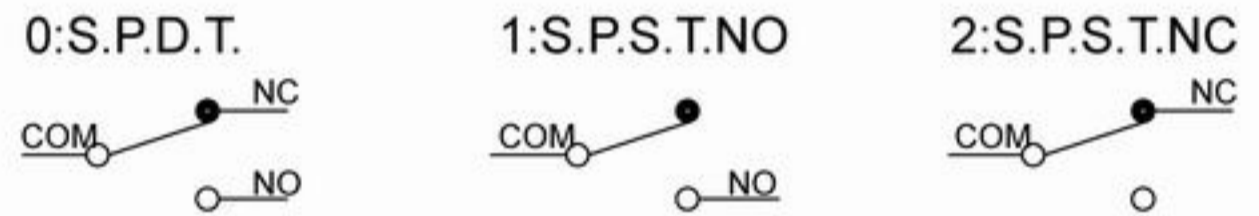
DIMENSIONS (Unless otherwise specified, a tolerance of ±0.4 mm applies to all dimensions.)



SPECIFICATIONS

- Contact Resistance (initial) Max. 100mΩ
- Insulation Resistance (at 500VDC/minute) Min. 100MΩ
- Dielectric Strength 1000VAC (50~ 60Hz)
- Storage Temperature range -25°C to 85°C
- Storage Humidityat 40°C, Max. 85% R.H
- Operating Temperature range -40°C to 85°C
- Vibration 10~55HZ, displacement 0.75 mm (p-p)
- Electrical Service Life 0.1A, - Min. 1,000,000 operations
5A - Min. 10,000 operations
- Electrical Operating Frequency0.1A – 120 operations per minute
5A - 10~30 operations per minute
- Mechanical Service Life Min.10,000,000 operations
- Mechanical Operating Frequency 120 operations per minute

CONTACT CONFIGURATION



APPLICATION

- Joystick, TV game, Time recorder,
- Air conditioner, Food processor, Juicer
- Alarm, Mixer, Shredder

CERTIFICATE INFORMATION

Model Name	UL	CSA	ENEC14
VM-P1	0.1A 125/250VAC(Temp:85°C) Min. 10,000 operations	Non	Non
VM-05	5A 125/250VAC(Temp:85°C) Min. 10,000 operations	5A 125/250VAC Min. 6,000 operations	Non
VM-05	5A 125/250VAC(Temp:85°C) Min. 10,000 operations	5A 125/250VAC Min. 6,000 operations	5A 125/250VAC, u40T125, 1E4 (only for F,S,Q,H force)

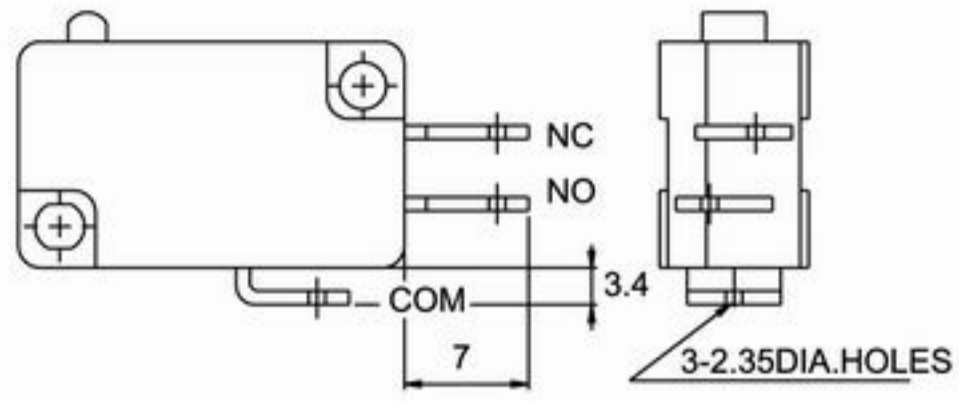
THE SELECTION OF RATING & FORCE

MODEL	RATING	B	L	D	F	S	Q	H
VM	0.1A	*	*	*	*	*	*	*
	5A				*	*	*	*

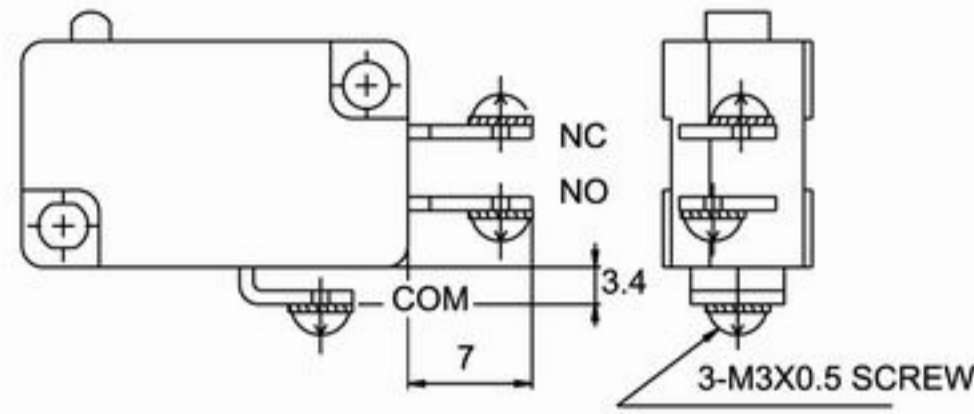
THE Symbol "*" to represent the result is accept

TERMINAL TYPES

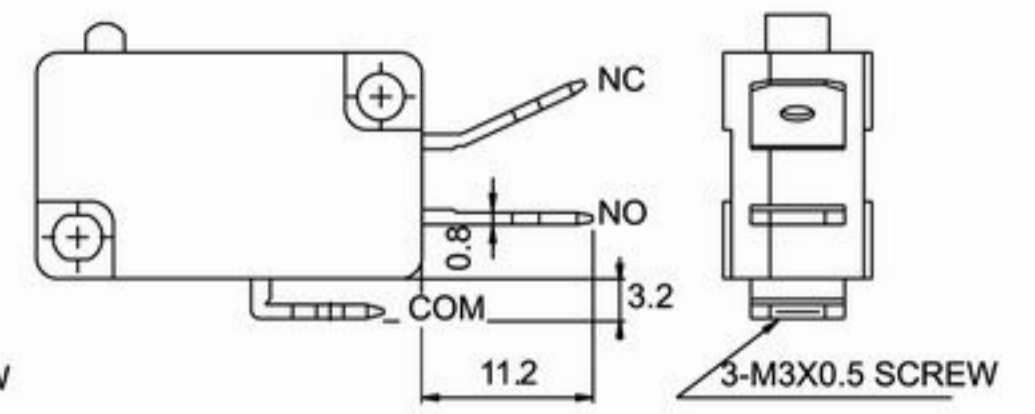
Solder terminal A Type



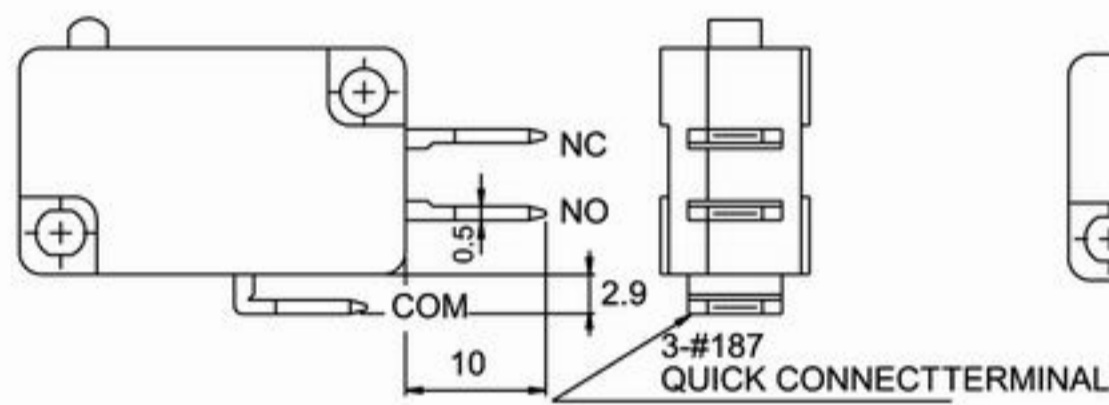
Screw terminal B TYPE



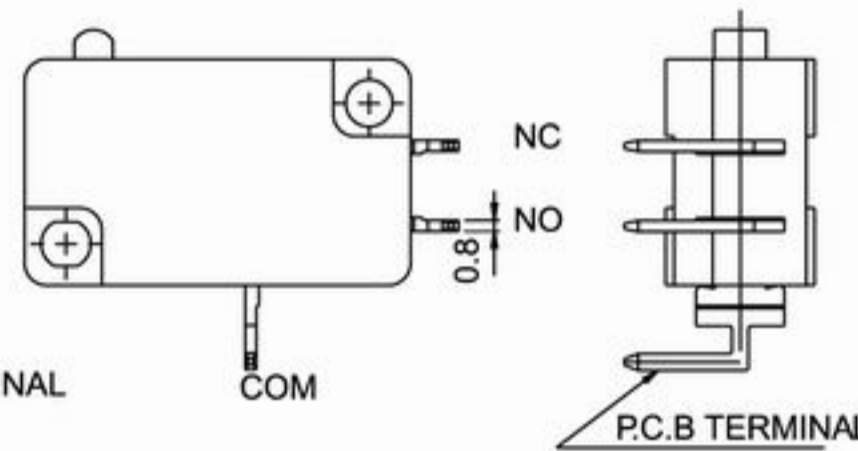
Quick connect terminal 250 Series CYPE



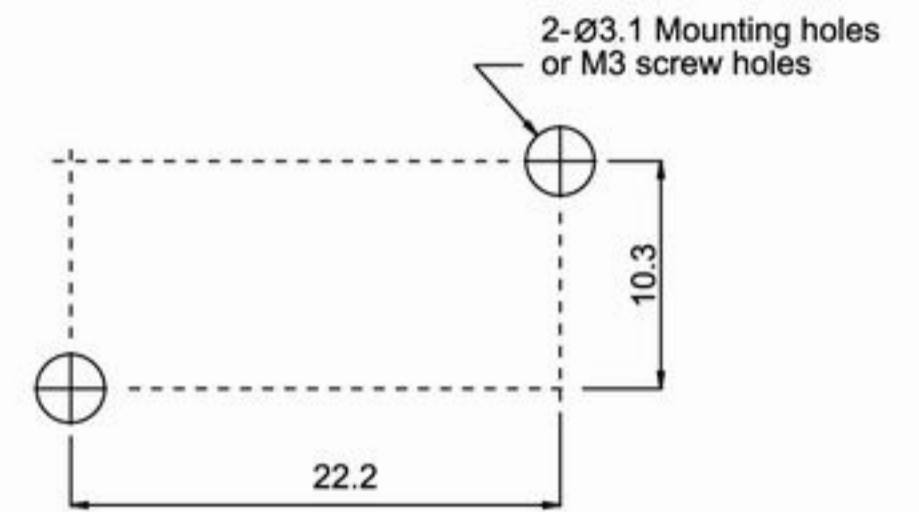
Quick connect terminal 187 Series D TYPE



PCB Terminal PTYPE



MOUNTING HOLES



ORDERING INFORMATION

V	M	05	L	03	D	0	Z				
SERIES PREFIX	CODE	RATING CURRENT	CODE	OPERATING FORCE	CODE	ACTUATOR TYPE	CODE	TERMINAL TYPE	CODE	CIRCUIT ARRANGEMENT	ROHS CODE
	P1	0.1A125/250VAC	B	8.4	00		A	SOLDER TERMINAL(A)	0	S.P.D.T	
	05	5A125/250VAC	L	14.2	01		B	SCREW TERMINAL(B)	1	S.P.S.T. NO	
			D		02		C	250 SERIES (C)	2	S.P.S.T. NC	
			F		03		D	187 SERIES (D)			
			S		04		P	PCB SERIES (P)			
			Q		05						
			H		06						
			A								
			K								
			C								
			E								
			R								
			P								
			G								

ORDERING CHARACTERISTICS

SWITCH TYPE	PART SUFFIX	OF- Max. (gf)							OP (mm)	PT Max (mm)	OT Min (mm)	MD Max (mm)
		B	L	D	F	S	Q	H				
		A	K	C	E	R	P	G				
VM-□□□-00□□-Z		20	50	100	150	200	330	400	14.7	1.3	0.8	0.4
										±0.5		
VM-□□□-01□□-Z		20	50	100	150	200	330	400	15.3	1.6	0.6	0.5
		10	23	46	69	92	151	183	15.3	2.8	1.75	0.75
VM-□□□-02□□-Z		9	30	44	66	120	144	220	15.3	3.3	1.6	1.2
		5	11	22	41	51	72	87	15.3	5.75	3.10	1.6
VM-□□□-03□□-Z		5	15	24	35	60	77	120	15.3	7.6	3.0	2.2
		—	8	12	18	38	39	47	15.3	11.1	5.0	3.0
VM-□□□-04□□-Z		10	30	49	74	120	161	220	18.7	3.4	1.6	1.2
		5	13	25	46	57	81	98	18.7	5.3	2.55	1.4
VM-□□□-05□□-Z		20	50	97	145	200	320	400	20.7	1.5	0.6	0.5
		10	23	49	80	115	160	194	20.7	2.9	1.4	0.7
VM-□□□-06□□-Z		10	30	47	70	120	153	220	20.7	3.4	1.6	1.2
		7	12	24	35	47	77	93	20.7	5.5	2.8	1.5