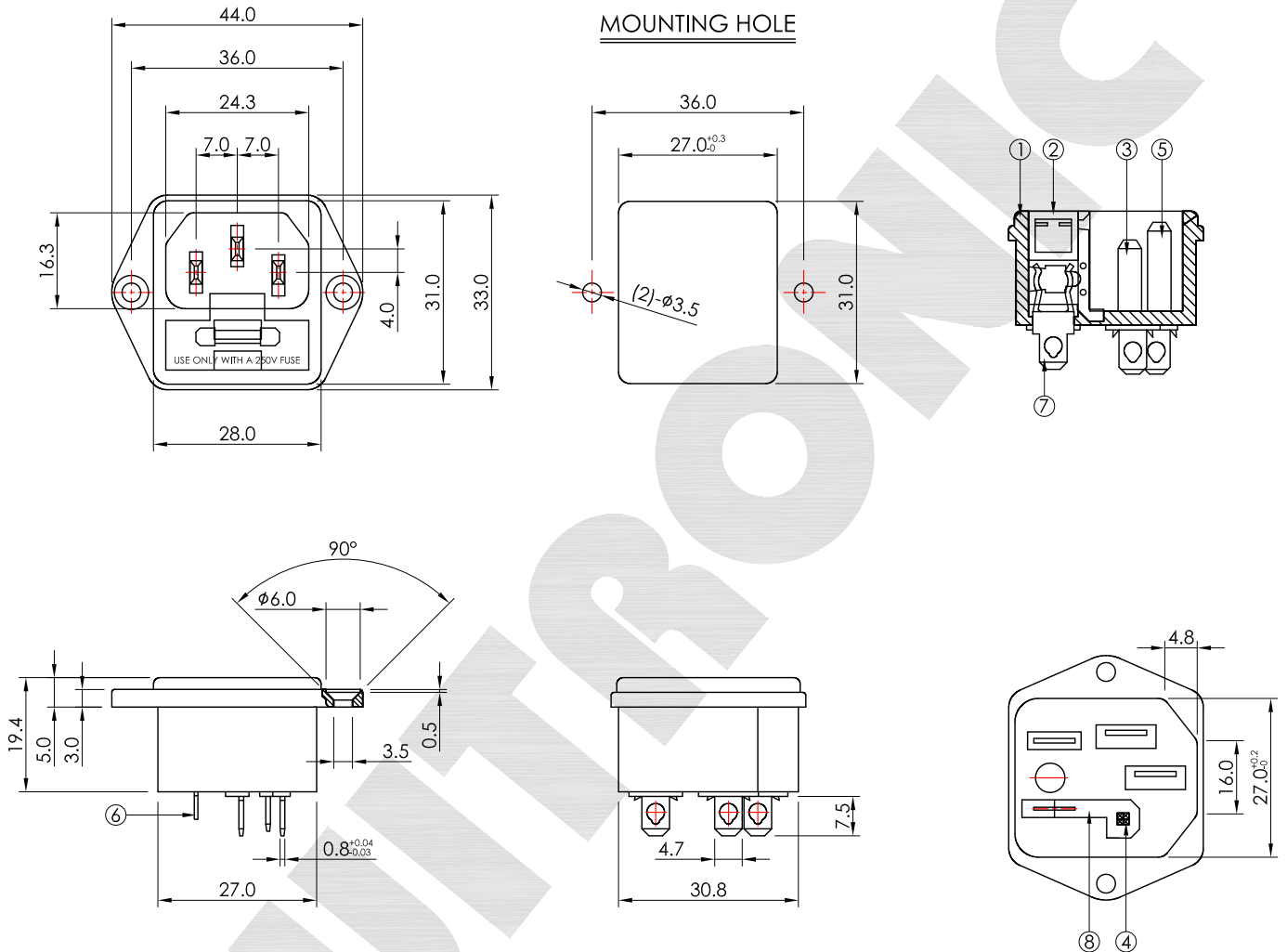


*開關產品未經SWITRONIC同意，請勿拆解，否則無法負品質及安全責任。
 Please do not decompose the switch without any permission from SWITRONIC, otherwise the quality and safety responsibility could not be guaranteed.
 *本圖面若與目錄之規格尺寸不符，以本圖面規格尺寸為主。
 Below is our main specification if different from catalog.



SPECIFICATION

Rating: 10A / 2.5W 250V AC. 10A 250V AC.

Insulation resistance: More than 100MΩ.(at DC 500V)

Withstand voltage: 2,000V AC for 1 minute.

Operating temperature: -20°C ~ +85°C.(Max.)

Note 1: Unwashable, don't be immersed by epoxy and organic solvent.

Note 2: Please check the actual size, do not scale the drawing page.

MATERIAL

- Body: Nylon 66. ①
- Fuse cover: Nylon 66. ②
- Edge terminal: Bsp1-1/2H, Sn plated. ③
- Edge terminal: Bsp1-1/2H, Sn plated. ④
- Center terminal: Bsp1-1/2H, Sn plated. ⑤
- Fuse holder: Bsp1-1/2H, Sn plated. ⑥
- Fuse holder: Bsp1-1/2H, Sn plated. ⑦
- Connector: Bsp1-1/2H, Sn plated. ⑧

STORAGE METHOD

After opening the bag of the switches, please include a desiccant into the bag, then seal it to avoid product oxidation.

打開包裝袋後，請在袋中加入乾燥劑並「密封」，避免產品氧化。



V2.0	無	新繪製	2017.11.23
版本 VER.	符號 SYMBOL	修改內容 ALTERATION	更新日期 DATE

產品 PRODUCT		Socket with fuse holder		型號 MODEL NO.		JR-101-1F-G	
比例 SCALE	6 : 5	單位 UNIT	mm				
公差 TOLERANCE	.X=±0.3mm, .XX=±0.2mm						
製圖 DRAWN BY	核圖 CHECKED BY	主管 APPROVED BY					
Peter Kuo	Chuck Young	Margaret Lee					
				一綺電子企業股份有限公司 總公司：110 台北市信義路四段415號13樓之3 13F-3, NO.415, SEC.4, HSIN YI ROAD, TAIPEI, TAIWAN TEL : 886-2-27290229(Rep.) FAX : 886-2-27582086 URL : www.switronic.com E-MAIL : switches@ms36.hinet.net			