

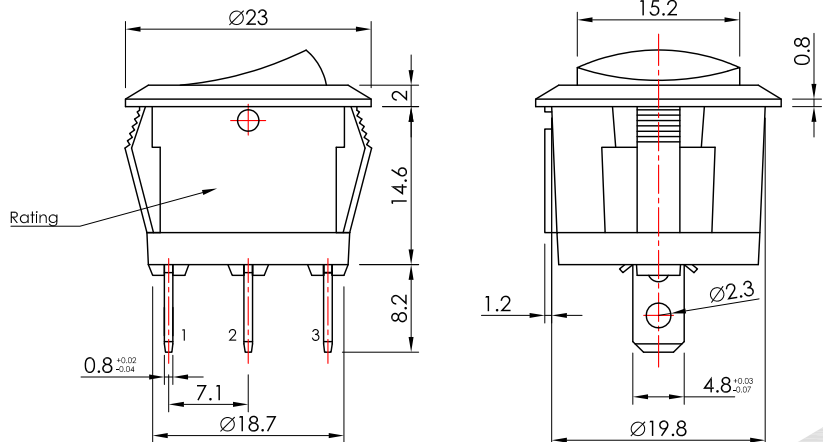
*開關產品未經SWITRONIC同意，請勿拆解，否則無法負品質及安全責任。
Please do not decompose the switch without any permission from SWITRONIC, otherwise the quality and safety responsibility could not be guaranteed.

*本圖面若與目錄之規格尺寸不符，以本圖面規格尺寸為主。
Below is our main specification if different from catalog.

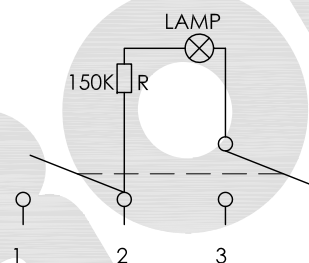
RoHS compliant

RL3-5LXXXXX-H-G

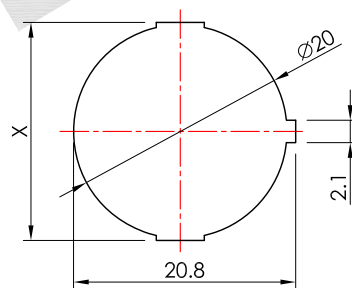
HOUSING COLOR	B	Black	LAMP COLOR	R	Red	MARKING	refer to our catalog		LAMP VOLTAGE	1	125V AC	RoHS compliant
	W	White		Y	Yellow		2	250V AC				
	G	Gray		GN	Green							



SCHEMATIC



MOUNTING HOLE



Panel thickness	X
0.75 - 1.25	20.2
1.25 - 2.0	20.4
2.0 - 3.0	20.6

SPECIFICATION

Rating: 10A 125V AC.(UL, C-UL)
6(2)A 250V AC.(ENEC)
Circuit: SPST.
Function: ON-OFF.(W/Lamp)
Contact resistance: 30mΩ Max.(initial)
Insulation resistance: 100MΩ Min. at 500V DC.
Withstand voltage: 1500V AC for 1 minute.
Operating temperature: -25°C ~ +125°C.
Operating force: 300~600g.
Life: 10,000 Cycles.
Soldering temperature: 250°C Max. for 3 seconds.
Soldering time: 1 time only.
Note1: Unwashable, don't be immersed by epoxy and organic solvent.
Note2: Please do not scale the drawing comparing to real product and kindly measure the size of real product.

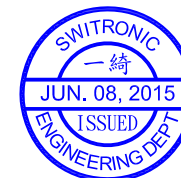
MATERIAL

Housing: Nylon 66.(UL-94V-2)
Rocker: PC.(UL-94HB)
Terminal: Copper alloy, Ag plated.
Contact: AgSnO₂In₂O₃(10)/Cu.

保存注意事項：

Precautions for preservation:

- 此產品為鍍銀或鍍金產品，裸露在空氣中極易氧化，會造成冷焊或焊接不良。建議拆封後，未使用完的開關務必放入袋內，並置入乾燥劑後密封袋口，以防氧化。
This is a silver-plated or gold-plated product, which can be easily oxidized when exposed to air that may cause cold welding or poor welding. We recommend that after unpacking, the unused switch must be preserved into a sealed bag with desiccant to prevent oxidation.
- 若產品拆封後，客戶未盡妥善保存之責，造成產品氧化，我司無法負保固責任。
After the product is unpacked, if the customer fails to properly preserve the product, causing the product to oxidize, our company cannot be held responsible for the warranty.



V2.0	無	新繪製	2015.06.08
版本	符號	修改內容	更新日期
VER.	SYMBOL	ALTERATION	DATE

產品 PRODUCT	Rocker Switch		型號 MODEL NO.	RL3-5LBRBT2-H-G
製圖 DRAWN BY	核圖 CHECKED BY	主管 APPROVED BY	單位 UNIT	mm
Peter Kuo	Chuck Young	Margaret Lee	比例 SCALE	3 : 2
			公差 TOLERANCE	.X=±0.3mm, .XX=±0.2mm

SWITRONIC
INDUSTRIAL CORP.
Switches



一綺電子企業股份有限公司

總公司：110 台北市信義路四段415號13樓之3
13F-3, NO.415, SEC.4, HSIN YI ROAD, TAIPEI, TAIWAN
TEL : 886-2-27290229(Rep.) FAX : 886-2-27582086
URL : www.switronic.com E-MAIL : switches@ms36.hinet.net