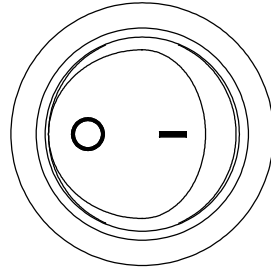
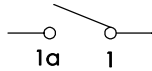


*開關產品未經SWITRONIC同意，請勿拆解，否則無法負品質及安全責任。
Please do not decompose the switch without any permission from SWITRONIC, otherwise the quality and safety responsibility could not be guaranteed.

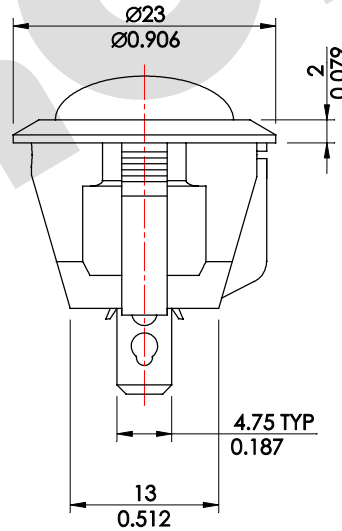
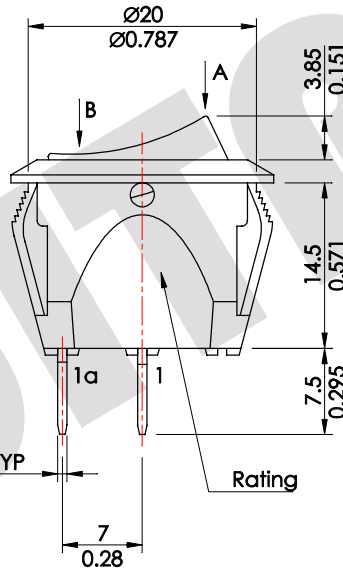
*本圖面若與目錄之規格尺寸不符，以本圖面規格尺寸為主。
Below is our main specification if different from catalog.

RoHS compliant

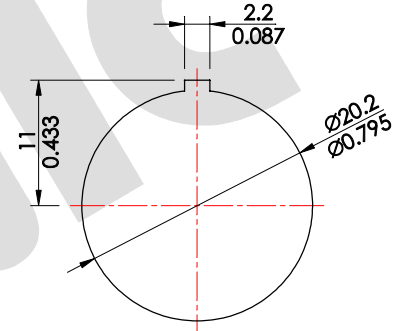
SCHEMATIC



POLE FUNCTION	OPTIONS OF FUNCTION		
	A	Center	B
SPST	1-1a	None	OFF



MOUNTING HOLE



Thickness: 3mm Max.

MARKING refer to our catalog **RoHS compliant**

RC15XXXXT-G

HOUSING COLOR		ROCKER COLOR	
B	Black	B	Black
W	White	W	White
G	Gray	G	Gray
R	Red	Y	Yellow
		GN	Green



SPECIFICATION

Rating: 10A 250V AC & 15A 125V AC.(UL)
10(4) 250V AC.(VDE. ENEC10)

Contact resistance: <20mΩ.(initial)

Insulation resistance: >1,000MΩ at 500V DC.

Withstand voltage: >1,500V DC for 1 minute.

Minimum load: 300mA 10V DC.(reference only)

Mechanical life: >30,000 Cycles.

Electrical life: >10,000 Cycles.

Temperature rise at the terminal: 30°C Max.

When proceed with soldering, please pay attention to following:

For manual soldering method, must use 30W soldering iron and complete the operation under 350°C within 3 seconds.

Note 1: Unwashable, don't be immersed by epoxy and organic solvent.

Note 2: Please check the actual size, do not scale the drawing page.

V2.1	△		
V2.0	無	新繪製	2015.08.31
版本 VER.	符號 SYMBOL	修改內容 ALTERATION	更新日期 DATE

產品 PRODUCT		Rocker Switch		型號 MODEL NO.		RC15BBBT-G	
製圖 DRAWN BY	核圖 CHECKED BY	主管 APPROVED BY		單位 UNIT	mm inch		
Peter Kuo	Chuck Young	Margaret Lee		比例 SCALE	3 : 2		
公差 TOLERANCE				.X=0.4mm .XX=0.25mm ±.XXX=0.016in .XXXX=0.098in			

SWITRONIC[®]
INDUSTRIAL CORP.
Switches



一綺電子企業股份有限公司

總公司：110 台北市信義路四段415號13樓之3
13F-3 NO. 415, SEC. 4, HSIN YI ROAD, TAIPEI, TAIWAN
TEL : 886-2-27290229 (Rep.) FAX : 886-2-27582086
URL : http://www.switronic.com.tw
E-MAIL : switches@ms36.hinet.net