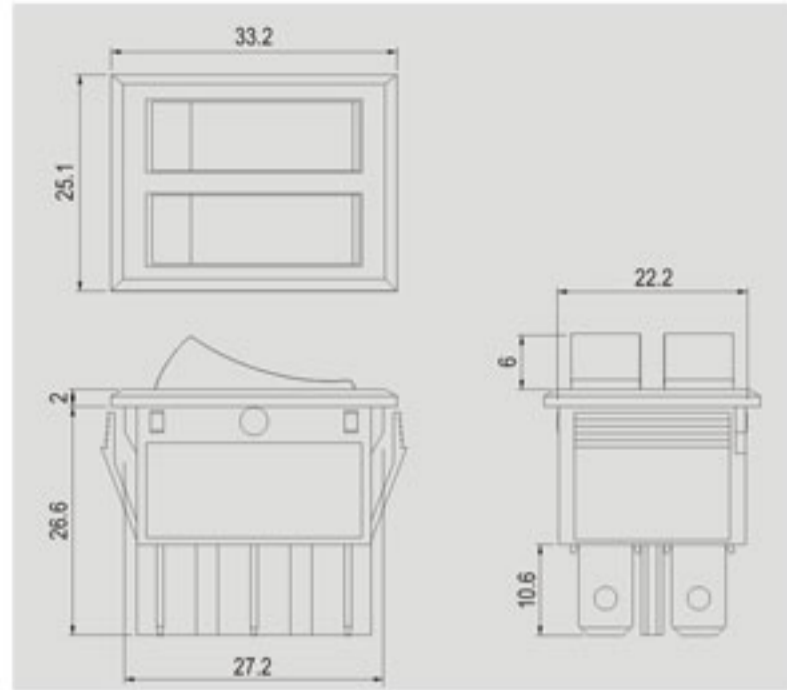


# R13-90P



<b>Rating</b>
16A 125V AC 1/8HP 125VAC 10A 250V AC 1/3HP 250VAC
<b>Contact resistance</b>
50mΩ Max
<b>Insulation resistance</b>
DC 500V 100MΩ Min
<b>Dielectric strength</b>
AC 1500V 1 minute
<b>Cut-out</b>

	X	Y
	X	Y
0.75-1.25	30.2±0.1	22.2±0.1
1.25-2	30.4±0.1	22.2±0.1
2-3	30.8±0.1	22.2±0.1

## FEATURES

- \* MATERIAL: Frames are nylon (UL flame: 94V-2). Terminals are silver plated brass.
- \* Illuminated actuators are molded in PC, available with red, amber and green colors.
- \* Snap-in mounting, easy to install switch into panel.

## R13-90P

FUNCTION	FUNCTION	TERMINAL
<b>A</b>   2P SPST	<b>A</b>   2P SPST	0 1  .250" SQ
<b>B</b>   3P SPST <b>(ILLUMINATED)</b> 125VAC 33KΩ / 250VAC 150KΩ	<b>B</b>   3P SPST <b>(ILLUMINATED)</b> 125VAC 33KΩ / 250VAC 150KΩ	
<b>C</b>   3P SPDT	<b>C</b>   3P SPDT	
<b>L</b> R9-70 Neon (Indicator light) 110/220V 		

