

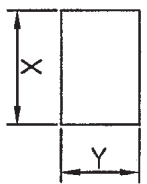
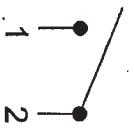
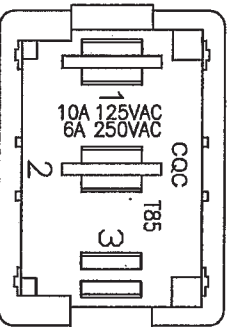
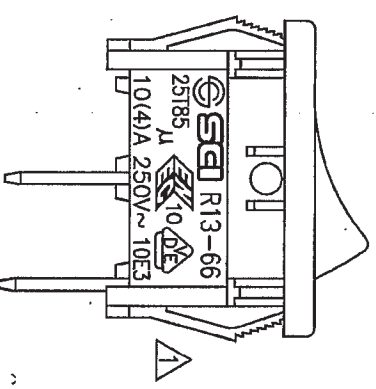
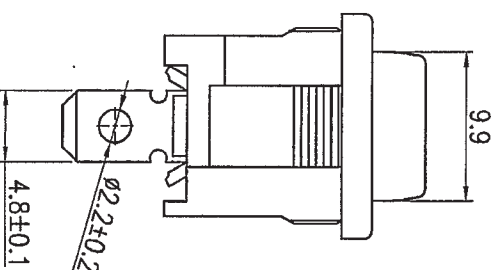
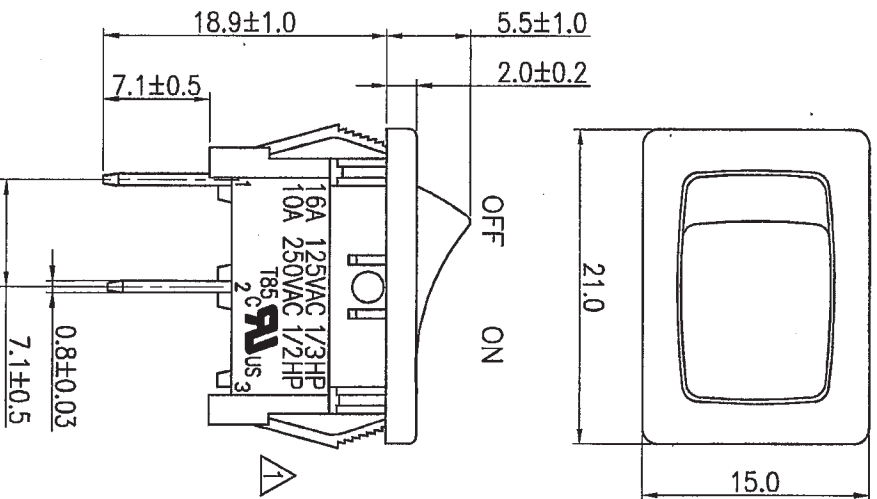


Rating	16A 125VAC 1/3HP 10A 250VAC 1/2HP	 us 785  25T85	Mounting Hole		Circuit Diagram												
	10(4)A 250V~ 10A 125VAC, 6A250VAC CQC T85																
Contact Resistance	50m ohm Max.																
Insulation Resistance	DC 500V 100M ohm Min.																
Dielectric Strength	AC 1500V 1 minute																
Operation Temperature	-25°C-85°C	<table border="1"> <tr> <th>Thickness</th> <th>X</th> <th>Y</th> </tr> <tr> <td>0.75..1.25</td> <td>19.2-0.1</td> <td>13+0.1</td> </tr> <tr> <td>1.25..2</td> <td>19.4-0.1</td> <td>13+0.1</td> </tr> <tr> <td>2..3</td> <td>19.8-0.1</td> <td>13+0.1</td> </tr> </table>	Thickness	X	Y	0.75..1.25	19.2-0.1	13+0.1	1.25..2	19.4-0.1	13+0.1	2..3	19.8-0.1	13+0.1			
Thickness	X	Y															
0.75..1.25	19.2-0.1	13+0.1															
1.25..2	19.4-0.1	13+0.1															
2..3	19.8-0.1	13+0.1															
Switch Function	2P SPST ON-OFF																

Material:  
Frame: Black , Nylon#66  
Actuator: Black,Nylon#66  
Printed:White, hot stamping.



Tolerances ±0.3 Unless Otherwise Specified

Date	7/22/16	Name	周傑輝	Description	NO
Drawn	周傑輝	Checked	周傑輝	依實物更新安規刻字	NO
		Approved	周傑輝	SCI BOM NO	1820199
			Customer No.	Model Name	ROCKER SWITCH
			Unit	Model No.	R13-66A-02
				Rev.	1
					Shin Chin Industrial Co., Ltd.