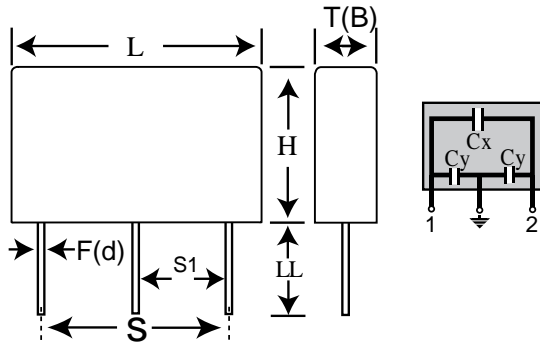


KEMET Part Number: PZB300MC23R30
(P300PL154M275AC472)



Capacitor, Film, Metallized Paper, 0.15 uF, +/-20% Tol, -40/+100C, Delta EMI (X2+Y2+Y2), Lead Spacing=20 mm



Note: '()' correspond to the letters used in the product bulletin

General Information	
Supplier:	KEMET
Dielectric:	Metallized Paper
Application:	Delta EMI (X2+Y2+Y2)
Style:	Radial Molded
Lead Form:	3 Lead
Features:	Pulse
Approvals:	ENEC,UL,cUL
RoHS:	Yes

Dimensions (mm)		
Symbol	Dimension	Tolerance
L	24	MAX
H	16	MAX
T	12.5	MAX
S	20	+/-0.5
S1	10	NOM
LL	30	+5
F	0.8	+/-0.05

Specifications	
Capacitance:	0.15 uF
Tolerance:	+/-20%
Voltage AC:	275 VAC
Rated Temperature:	100C
Temperature Range:	-40/+100C
Dissipation Factor @ 1 kHz:	1.3%
Insulation Resistance:	12 GOhm
Maximum dVdT:	600 v/us
Miscellaneous:	y2_cap_value= 0.0047 uF

Packaging Specifications	
Package Kind:	Bulk
Package Quantity:	150

Statements of suitability for certain applications are based on our knowledge of typical operating conditions for such applications, but are not intended to constitute - and we specifically disclaim - any warranty concerning suitability for a specific customer application or use. This Information is intended for use only by customers who have the requisite experience and capability to determine the correct products for their application. Any technical advice inferred from this Information or otherwise provided by us with reference to the use of our products is given gratis, and we assume no obligation or liability for the advice given or results obtained.



© 2006-2016 IntelliData.net