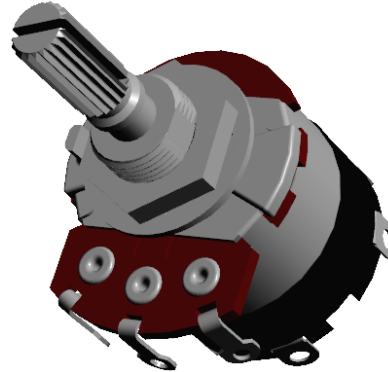


PR-24 series

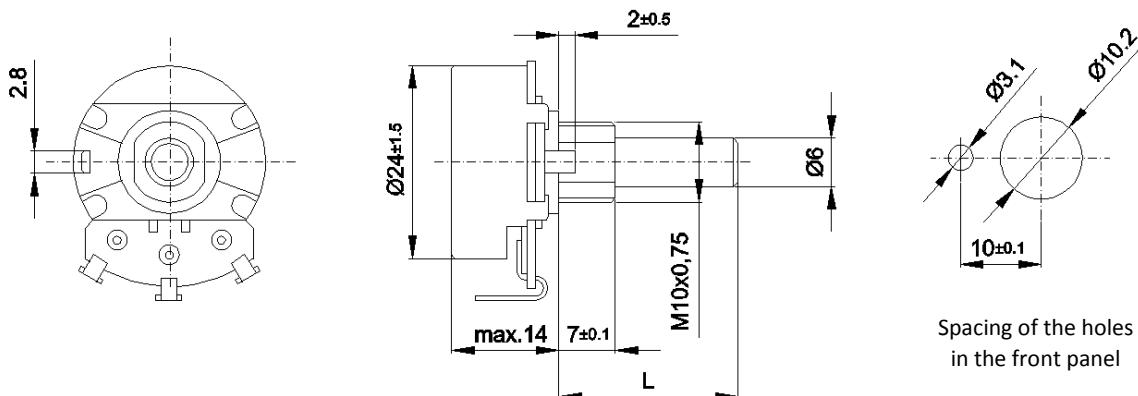
Characteristic

PR-24 single turn potentiometers are enclosed in a metal housing, with carbon resistive element. Potentiometers have a linear characteristic of regulation, and a ring terminals for wire soldering. PR-24 potentiometers may be equipped in a bipolar switch. Potentiometers with 5% and 10% resistance tolerance are available on request.



<u>Parameter</u>		<u>Value</u>
Nominal resistance		E3 series
Range of available resistances		100Ω ... 2,2MΩ
Resistance tolerance	$R \leq 470 \text{ k}\Omega$	±20%
	$R > 470 \text{ k}\Omega$	±30%
Max. dissipation power P_n ($T = 40^\circ\text{C}$)		0,5 W
Max. load at category temperature		25% P_n
Max. operating voltage		250 V
Breakdown voltage		350 V
Mechanical rotation angle		$300^\circ \pm 5^\circ$
Switch parameters	AC	250 V / 3 A
Climatic category		25/070/10

Dimensions



TELPOD S.A.

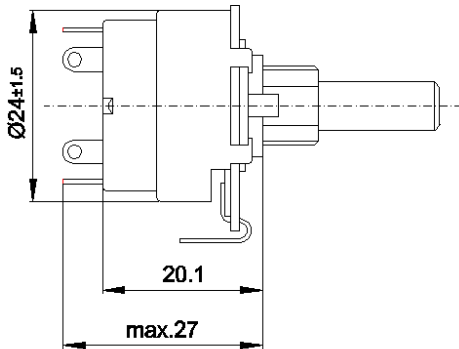
str. Pilsudskiego 63A
32-050 Skawina
www.telpod.pl

Technical division: +48 (0)12 257 10 12
Sales division: +48 (0)12 257 10 35
fax: +48 (0)12 257 10 13
e-mail: potentiometer@telpod.pl

date: 04 / 2015
Copyright 2015 by Telpod

PR-24 series

PR ... s55 // potentiometer with a bipolar switch



Shaft types

