

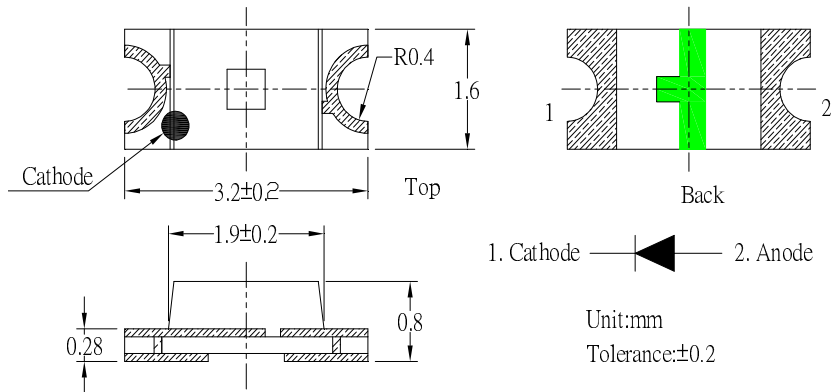
**■Features**

- Single chip
- Super high brightness of surface mount LED
- Compact package outline  
(L x W x T) of 3.2mm x 1.6mm x 0.8mm
- Compatible to IR reflow soldering.

**■Applications**

- Backlighting (switches, keys, etc.)
- Marker lights (e.g. steps, exit ways, etc.)

**■Outline Dimension**



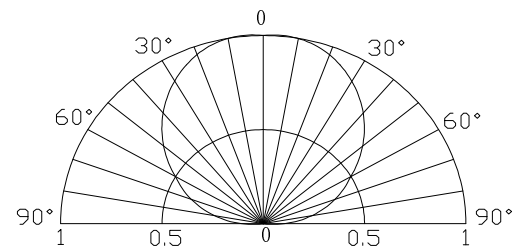
**■Absolute Maximum Rating**

(Ta=25°C)

Item	Symbol	Value		Unit
		WT/MT/BL/TG	YG/YL/OR/HR	
DC Forward Current	I <sub>F</sub>	30	30	mA
Pulse Forward Current*	I <sub>FP</sub>	100	100	mA
Reverse Voltage	V <sub>R</sub>	5	5	V
Power Dissipation	P <sub>D</sub>	108	78	mW
Operating Temperature	Topr	-40 ~ +85		°C
Storage Temperature	Tstg	-40 ~ +85		°C
Lead Soldering Temperature	Tsol	260°C/5sec		-

\*Pulse width Max 0.1ms, Duty ratio max 1/10

**■Directivity**



**■Electrical -Optical Characteristics**

(Ta=25°C)

Part Number	Color		V <sub>F</sub> (V)			I <sub>R</sub> (μA)	I <sub>v</sub> (mcd)			λD (nm)			2θ1/2(deg)
			Min.	Typ.	Max.	Max.	Min.	Typ.	Max.	Min.	Typ.	Max.	Typ.
			I <sub>F</sub> =20mA			V <sub>R</sub> =5V		I <sub>F</sub> =20mA					
OSW51206C1E	White	W5	3.0	-	3.6	10	400	450	-	X=0.29 Y=0.29			120
OSM51206C1E	Warm White	M5	3.0	-	3.6	10	400	450	-	X:0.44, Y:0.41			120
OSK51206C1E	Pink	K5	3.0	-	3.6	10	60	90	-	X:0.38, Y:0.18			120
OSB51206C1E	Blue	B5	3.0	-	3.6	10	80	100	-	460	465	475	120
OSG51206C1E	True Green	G5	2.9	-	3.6	10	300	350	-	520	525	530	120
OSG81206C1E	Yellow Green	G8	1.8	-	2.6	10	20	45	-	565	570	575	120
OSY51206C1E	Yellow	Y5	1.8	-	2.6	10	60	90	-	585	590	595	120
OSO51206C1E	Orange	O5	1.8	-	2.6	10	100	120	-	600	605	610	120
OSR51206C1E	Red	R5	1.8	-	2.6	10	100	120	-	620	625	630	120

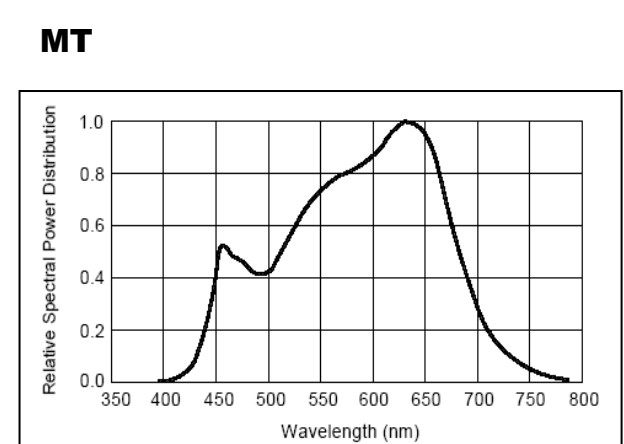
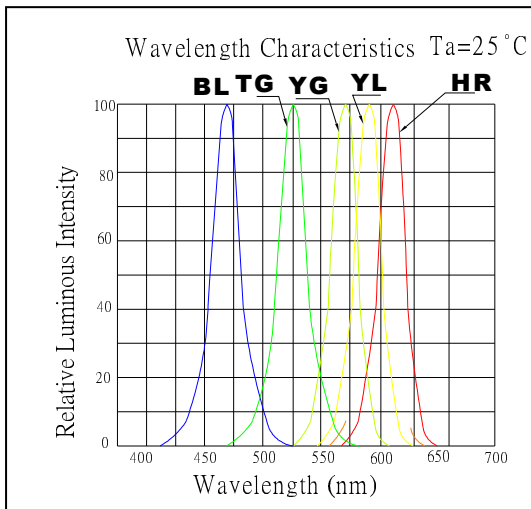
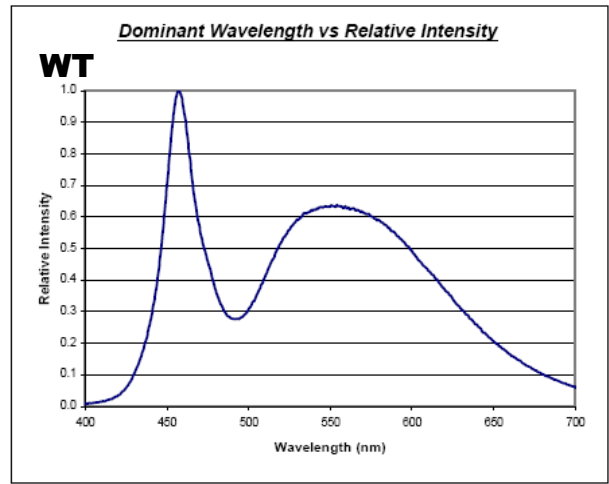
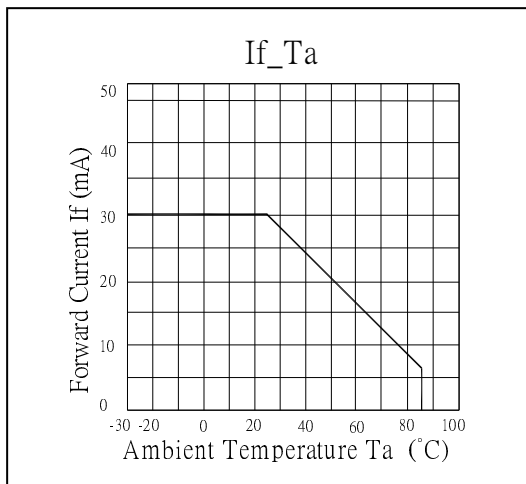
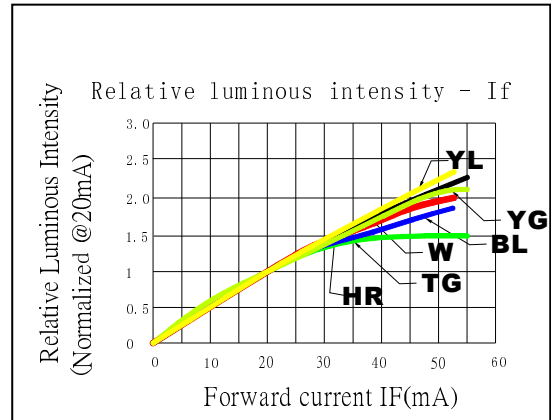
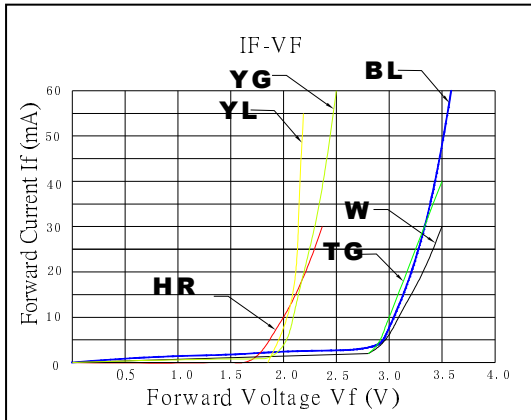
Note: \* Vf tolerance: ±0.05V

\* Dominant wavelength tolerance: ±1nm

\* Luminous intensity is NIST reading. Luminous intensity tolerance:±10%

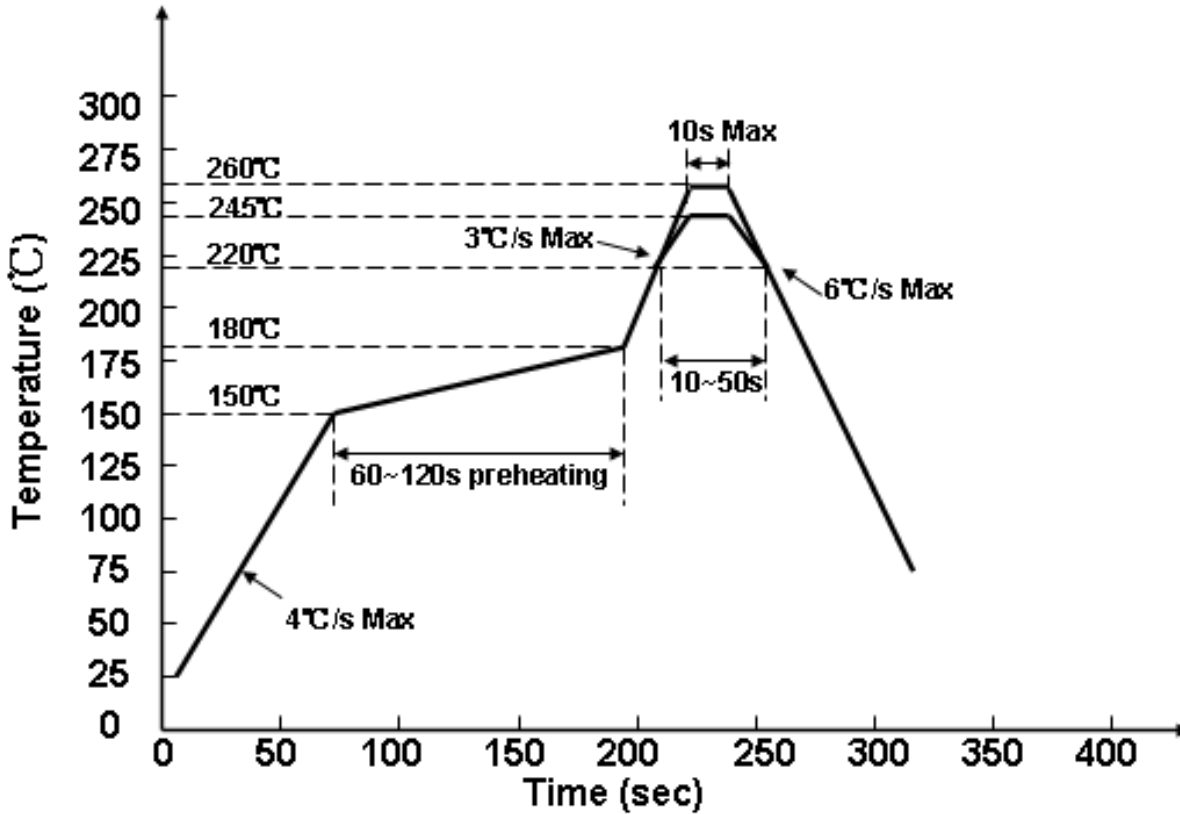
■ Optical and electrical characteristics

TYPICAL ELECTRICAL/OPTICAL CHARACTERISTIC CURVES





■ For Lead Free Solder



Notes:

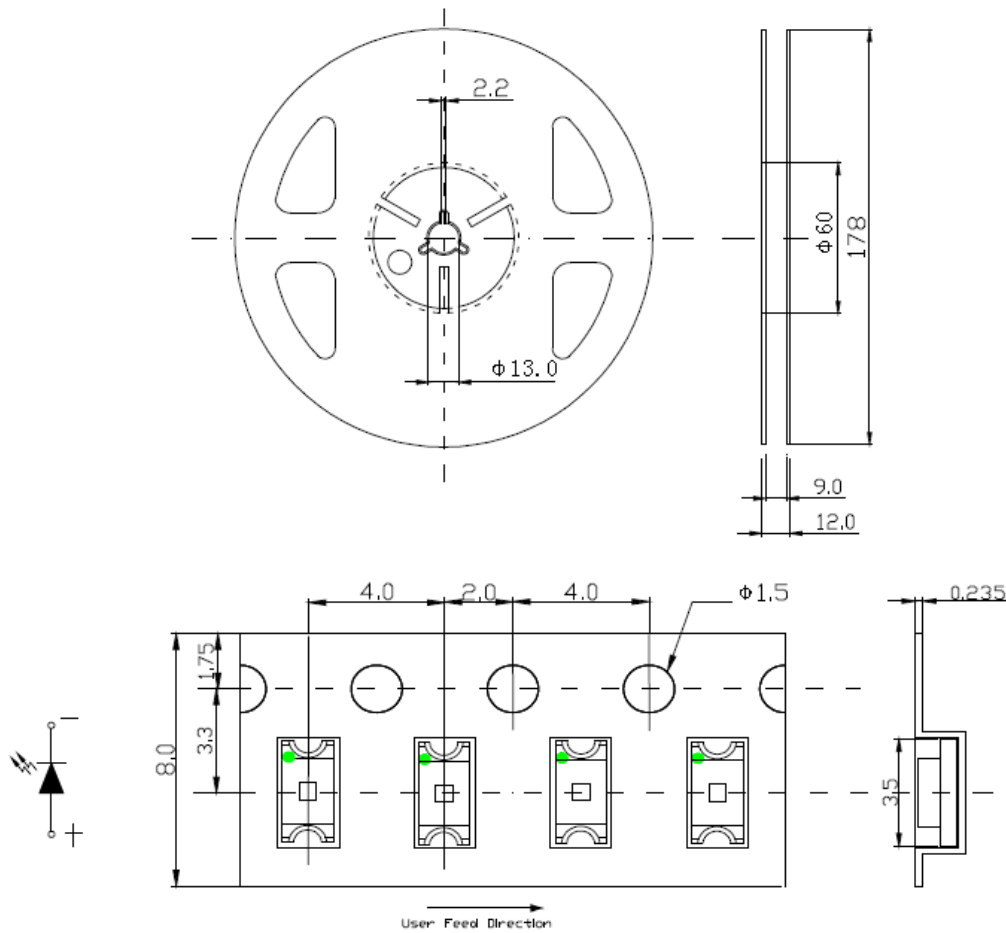
We recommend the soldering temperature  $245 \pm 5^\circ\text{C}$  ;

The maximum temperature should be limited to  $260^\circ\text{C}$ .



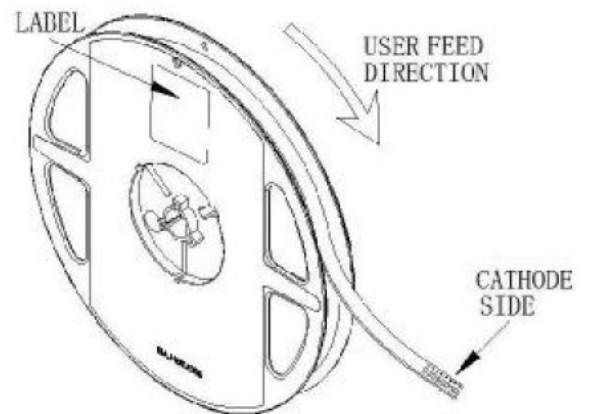
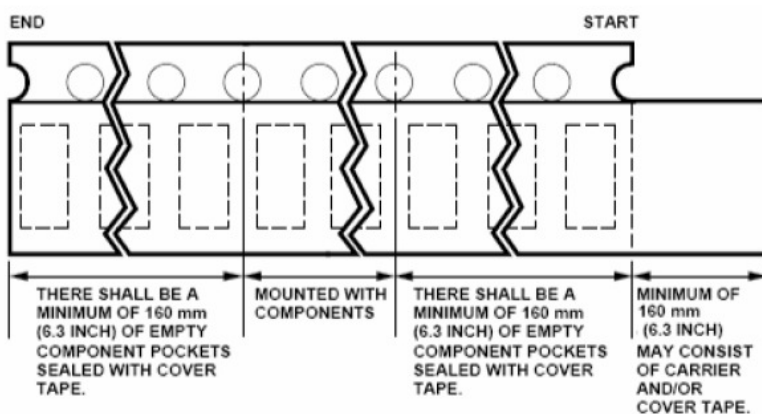
■Packaging

1. Reel And Tape Dimensions



Notes: All dimensions are in millimeters

2. Tape leader & Trailer Dimensins And Reel



### 3. Bag packaging

