

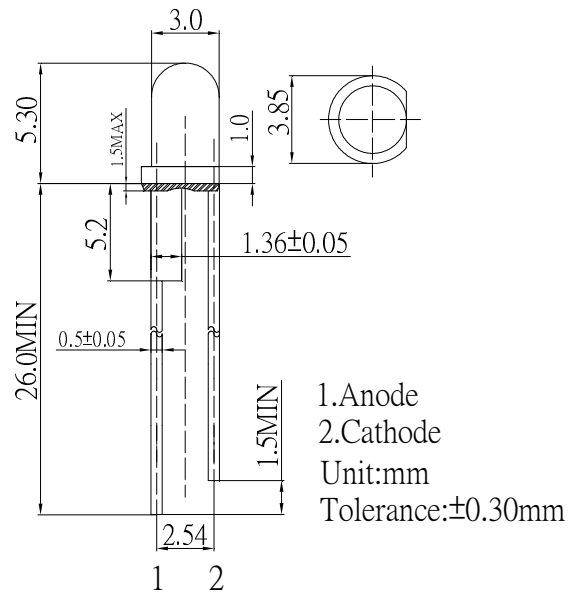
**■Features**

- High Luminous LEDs
- 3mm Round Standard Directivity
- Superior Weather-resistance
- UV Resistant Epoxy
- Water Clear Type

**■Applications**

- Traffic Signal
- Backlighting
- Signal and channel letter
- Other Lighting

**■Outline Dimension**

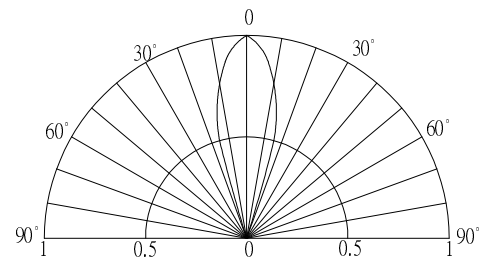


**■Absolute Maximum Rating**

(Ta=25°C)

Item	Symbol	Value	Unit
DC Forward Current	I <sub>F</sub>	70	mA
Pulse Forward Current*	I <sub>FP</sub>	120	mA
Reverse Voltage	V <sub>R</sub>	5	V
Power Dissipation	P <sub>D</sub>	182	mW
Operating Temperature	Topr	-40~ +85	°C
Storage Temperature	Tstg	-40 ~ +100	°C
Lead Soldering Temperature	Tsol	260°C/5sec	-

**■Directivity**



\*Pulse width Max.10ms , Duty ratio max 1/10

**■Electrical -Optical Characteristics**

(Ta=25°C)

Item	Symbol	Condition	Min.	Typ.	Max.	Unit
DC Forward Voltage	V <sub>F</sub>	I <sub>F</sub> =20mA	1.9	2.2	2.6	V
		I <sub>F</sub> =70mA	-	2.6	3.0	
DC Reverse Current	I <sub>R</sub>	V <sub>R</sub> =5V	-	-	10	μA
Domi. Wavelength*	λ <sub>D</sub>	I <sub>F</sub> =70mA	620	625	630	nm
Luminous Intensity*	I <sub>v</sub>	I <sub>F</sub> =70mA	40000	45000	-	mcd
50% Power Angle	2θ <sub>1/2</sub>	I <sub>F</sub> =70mA	-	30	-	deg

\*1 Dominant wavelength Measurement allowance is ±1nm

\*2 Luminous intensity Measurement allowance is ±15%