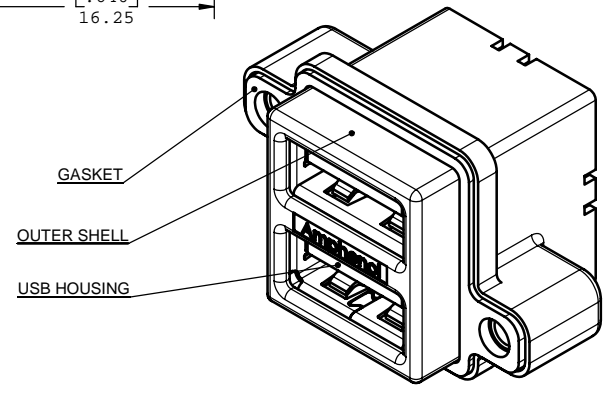
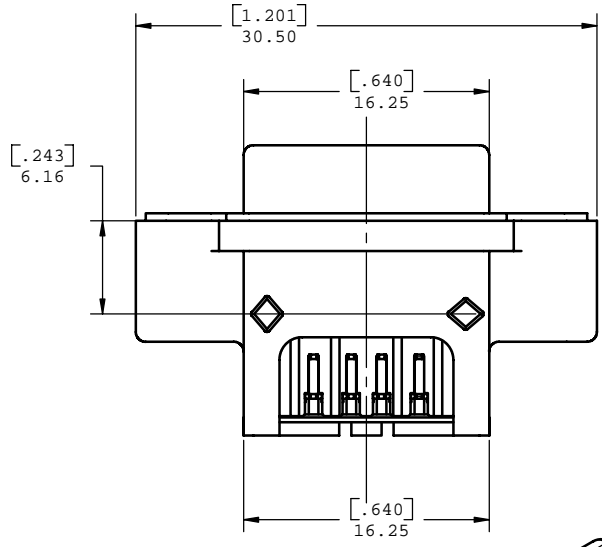
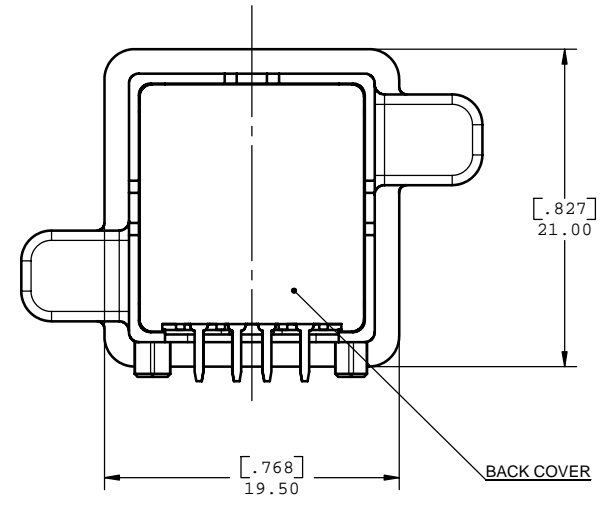
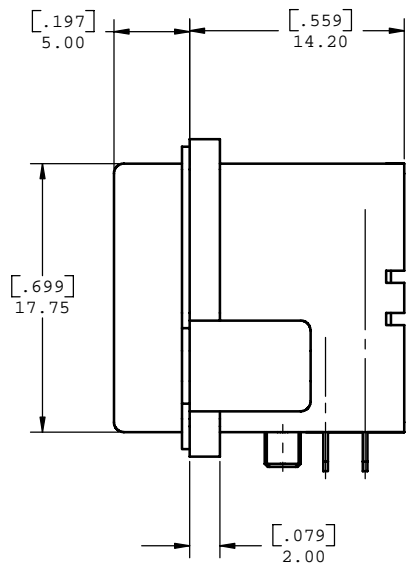
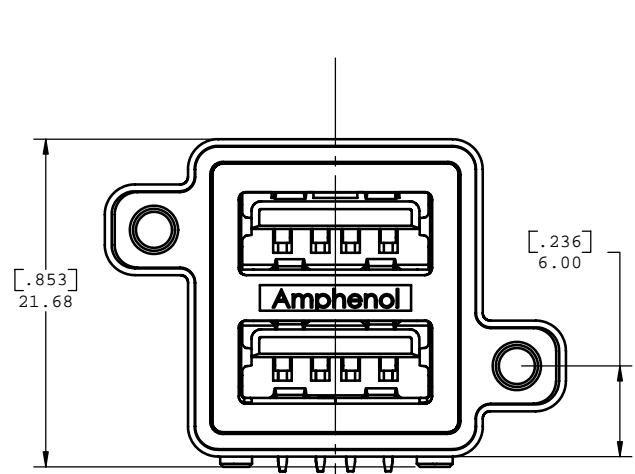


REV - DESCRIPT - DATE - APPRVD



NOTES:

1. MATERIAL:

- OUTER SHELL: ZINC ALLOY DIE CAST, 3 MICRONS [120 MICRO"] MIN NICKEL OVERALL.
- BACK COVER: BRASS ALLOY, 2.56 MICRONS [65 MICRO"] MIN. NICKEL OVERALL.
- USB HOUSING: HIGH TEMPERATURE THERMOPLASTIC, GLASS FILLED. FLAMMABILITY RATING UL94V-0, COLOR - BLACK.
- CONTACTS: PHOSPHOR BRONZE, PLATING: 0.76 MICRONS [30 MICRO"] GOLD, OVER NICKEL ON MATING AREA.
- GASKETS: SILICONE RUBBER.

2. FEATURE: SEALED CONNECTOR IN THE MATED AND UNMATED CONDITIONS.

3. OPERATING TEMPERATURE: -40°C TO +105°C.

4. ENVIRONMENT PERFORMANCE: IP67.

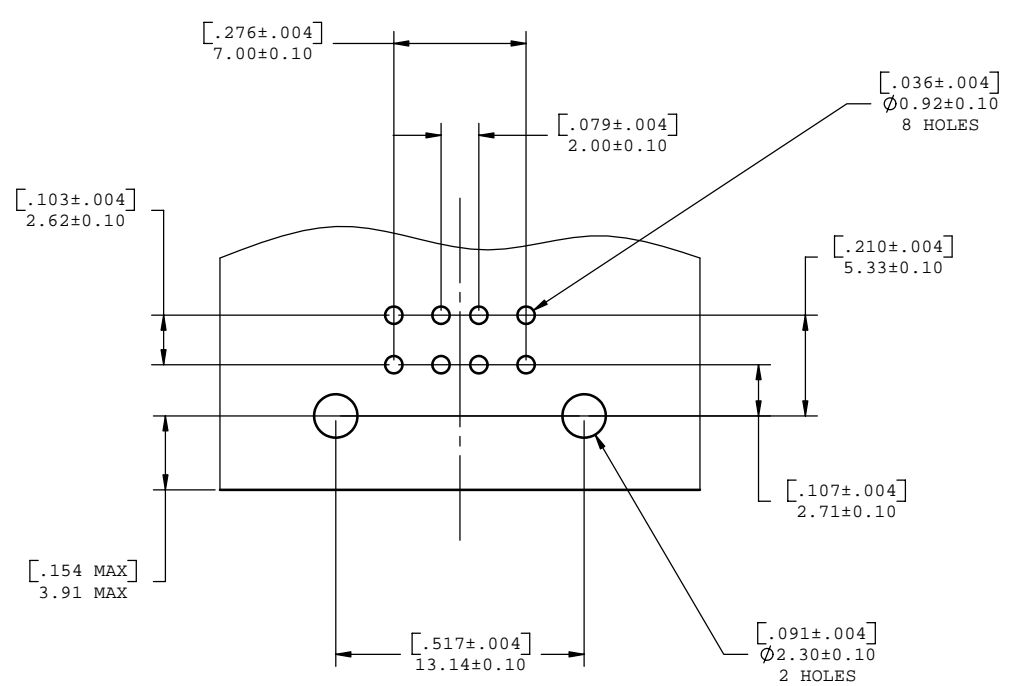
5. ALL COMPONENTS AND MATERIALS USED FOR CONNECTOR AND PACKAGING ARE ROHS COMPLIANT PER EU DIRECTIVE 2002/95/EC AND AMENDMENTS.



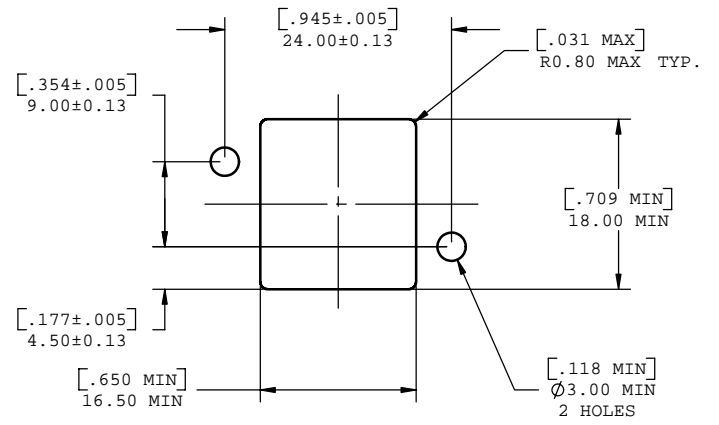
UNLESS OTHERWISE SPECIFIED DIMENSIONS ARE IN MILLIMETER TOLERANCES ARE:		APPROVALS	DATE	Amphenol Canada Corp.		
DECIMALS	ANGLES	DRAWN				
.XX ±.10	± 1°	S.SEMENOV	2005/08/22	TITLE		
.X ±.25		DESIGNED	2005/08/22	MUSB CONNECTOR, RECEPTACLE, TYPE A 2 PORTS, PCB MOUNT		
MATERIAL AND FINISH		CHECKED		SIZE	DWG. NO.	REV.
REF.		QA APP'D		C	P-MUSB-C111-30	2
CODE IDENT. NO.		IE APP'D		SCALE	PROJECT	SHEET
		DWG APP'D	2005/08/22	4:1	MUSB	1 OF 3
		K.BOUTROS				

DO NOT SCALE DRAWING
 THIS DOCUMENT CONTAINS PROPRIETARY INFORMATION AND SUCH INFORMATION MAY NOT BE DISCLOSED TO OTHERS FOR ANY PURPOSE OR USED FOR MANUFACTURING PURPOSES WITHOUT PERMISSION FROM AMPHENOL CANADA CORP.

REV - DESCRIPT - DATE - APPRVD



RECOMMENDED P.C.B. LAYOUT



RECOMMENDED PANEL CUTOUT



UNLESS OTHERWISE SPECIFIED DIMENSIONS ARE IN MILLIMETER TOLERANCES ARE: DECIMALS ANGLES .XX ±.10 ± 1° .X ±.25	APPROVALS	DATE	Amphenol Canada Corp.		
	DRAWN S.SEMENOV	2005/08/22			
MATERIAL AND FINISH	DESIGNED S.SEMENOV	2005/08/22	TITLE MUSB CONNECTOR, RECEPTACLE, TYPE A 2 PORTS, PCB MOUNT		
	CHECKED				
REF.	QA APP'D		SIZE C	DWG. NO. P-MUSB-C111-30	REV. 2
	IE APP'D		SCALE 1:0.2	PROJECT MUSB	SHEET 2 OF 3
CODE IDENT. NO.	DWG APP'D K.BOUTROS	2005/08/22			

DO NOT SCALE DRAWING
THIS DOCUMENT CONTAINS PROPRIETARY INFORMATION AND SUCH INFORMATION MAY NOT BE DISCLOSED TO OTHERS FOR ANY PURPOSE OR USED FOR MANUFACTURING PURPOSES WITHOUT PERMISSION FROM AMPHENOL CANADA CORP.

MUSB CONNECTOR
PRODUCT NUMBERING SYSTEM

MUSB - X1 X2 X3 X4 - X5 X6

MUSB - Connector designation

X1 - Style

- A - Receptacle type A, single
- B - Receptacle type B, mini
- C - Receptacle type A, stacked (double)
- D - Receptacle type B, single
- E - Receptacle type AB, mini
- F - Receptacle, type A top, type B, bottom, stacked

X2 - Termination

- 1 - Right angle, PCB mount
- 2 - Right angle, PCB mount, with cable header
- 3 - Right angle, PCB mount, with USB termination
- 4 - Right angle, PCB mount, with terminal block
- 5 - Vertical, PCB mount

X3 - Number of contacts

- 1 - Standard 4 per port
- 2 - Standard 4 per port + grounding contact
- 5 - Standard 5 per port
- 6 - Standard 5 per port + grounding contact

X4 - Color

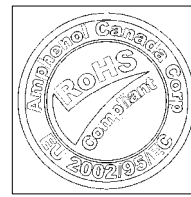
- 1 - Standard black

X5 - Shield option

- 0 - No rear shield
- 3 - With rear shield

X6 - Specials

- 0 - Standard
- 1 - With dust cover
- 2 - With cable 12-18" length
- 3 - Long tail contact
- C - EMI filter



UNLESS OTHERWISE SPECIFIED DIMENSIONS ARE IN MILLIMETER TOLERANCES ARE:		APPROVALS	DATE	Amphenol Canada Corp.	
DECIMALS ANGLES .XX ± .10 ± 1° .X ± .25		DRAWN S.SEMENOV	2005/08/22		
MATERIAL AND FINISH		DESIGNED S.SEMENOV	2005/08/22	TITLE MUSB CONNECTOR, RECEPTACLE, TYPE A 2 PORTS, PCB MOUNT	
		CHECKED			
REF.		QA APP'D		SIZE C	DWG. NO. P-MUSB-C111-30
		IE APP'D		PROJECT MUSB	REV. 2
CODE IDENT. NO.		DWG APP'D K.BOUTROS	2005/08/22	SCALE 1:0.2	SHEET 3 OF 3