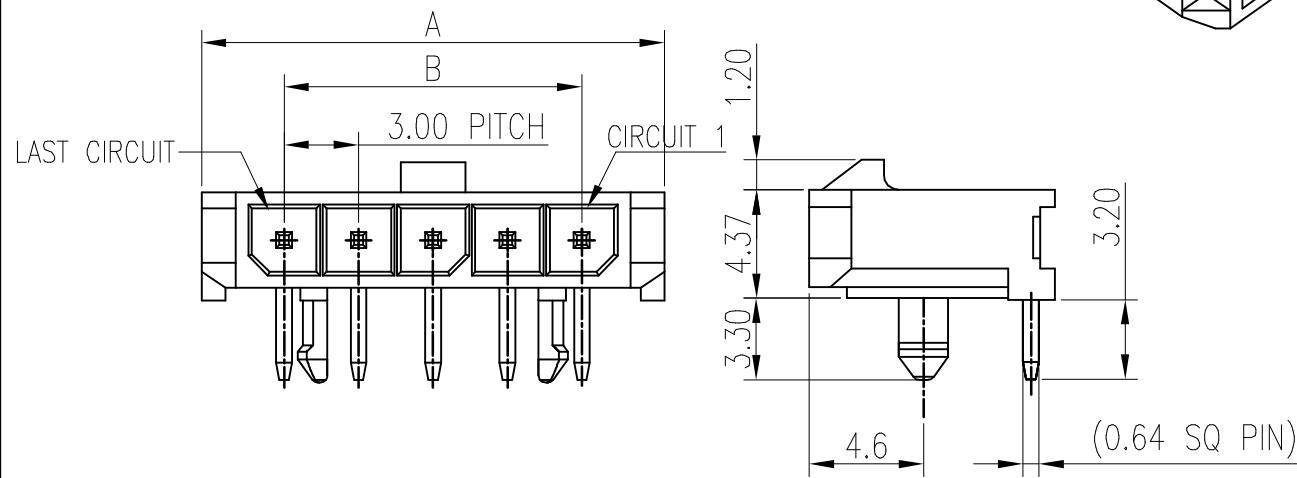
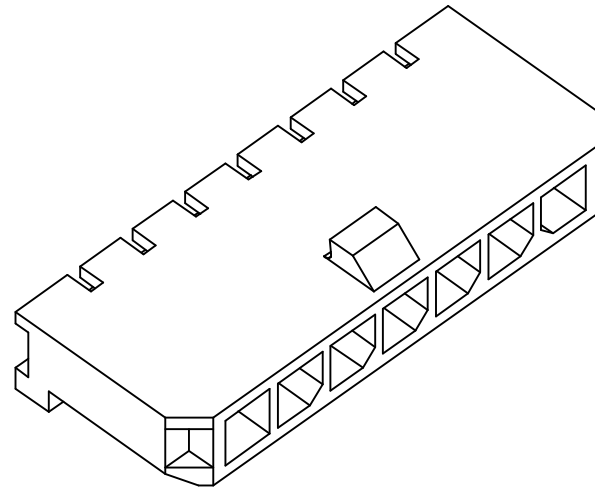
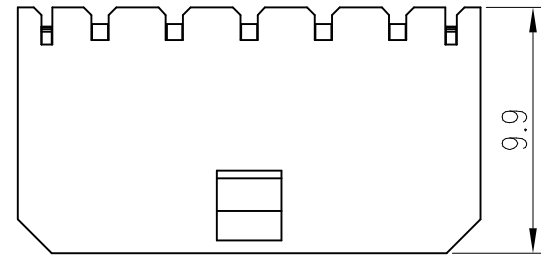


PRODUCT NUMBER

SEE P/N SCHEME



NOTE:

- MATERIAL:  
HOUSING: LCP, UL94V-0, HALOGEN FREE, COLOR: BLACK  
CONTACT: COPPER ALLOY.
- CONTACT FINISH: NICKEL 50u" Min. UNDERPLATED OVERALL.  
OPTIONAL PLATING ON CONTACT AREA, TIN ON SOLDER TAIL.
- REFER GS-20-0399 APPLICATION SPECIFICATION FOR MATING CONNECTOR.
- PRODUCT SPECIFICATION: GS-12-1177.
- PACKAGE SPECIFICATION: GS-14-2359.
- APPLICATION SPECIFICATION: GS-20-0399
- THE HOUSING WILL WITHSTAND EXPOSURE TO 260°C PEAK TEMPERATURE FOR 10 SECONDS IN A REFLOW OVEN.
- THE HOUSING WILL WITHSTAND EXPOSURE TO 260°C PEAK TEMPERATURE FOR 5 SECONDS IN A WAVE SOLDER
- LEAD FREE PRODUCTS MEET EUROPEAN UNION DIRECTIVES AND OTHER COUNTRY REGULATIONS AS DESCRIBED IN GS-47-0004
- PART NUMBER SCHEME:

10136654- XX X X X LF

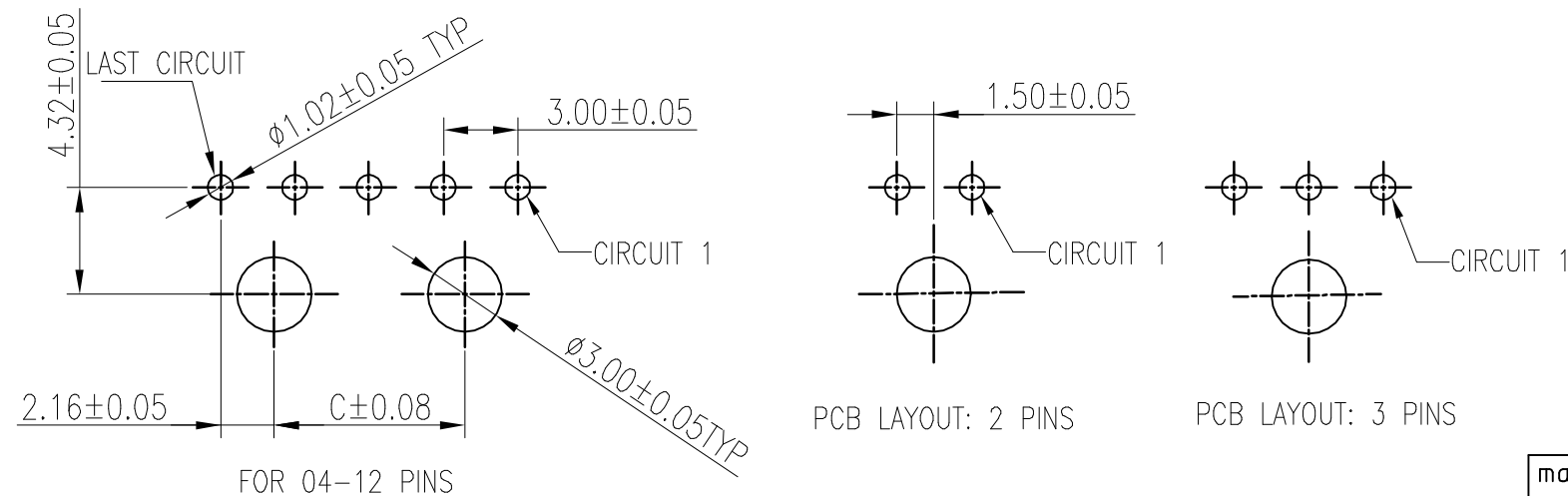
POS. CODE: ————  
02: 2 POS  
03: 4 POS  
  5  
12: 12 POS  
S1: SEE SHEET-2  
S2: SEE SHEET-2

LEAD FREE  
OPTIONAL PACKAEGS:  
BLANK: TRAY  
R: TAPE AND REEL  
GLOW WIRE COMPATIBLE:  
1: COMPATIBLE  
2: NON-COMPATIBLE

PLATING CODE:

- 100u" Min. MATTE TIN OVERALL
- GOLD FLASH OVERALL
- 15u"Min Au ON CONTACT AREA,  
100u"Min MATTE TIN ON TAIL
- 30u"Min Au ON CONTACT AREA,  
100u"Min MATTE TIN ON TAIL

PART NO.	POS.	A	B	C
10136654-02XXXLF	02	9.65	3.0	
10136654-03XXXLF	03	12.65	6.0	
10136654-04XXXLF	04	15.65	9.0	4.70
10136654-05XXXLF	05	18.65	12.0	7.70
10136654-06XXXLF	06	21.65	15.0	10.70
10136654-07XXXLF	07	24.65	18.0	13.70
10136654-08XXXLF	08	27.65	21.0	16.70
10136654-09XXXLF	09	30.65	24.0	19.70
10136654-10XXXLF	10	33.65	27.0	22.70
10136654-11XXXLF	11	36.65	30.0	25.70
10136654-12XXXLF	12	39.65	33.0	28.70

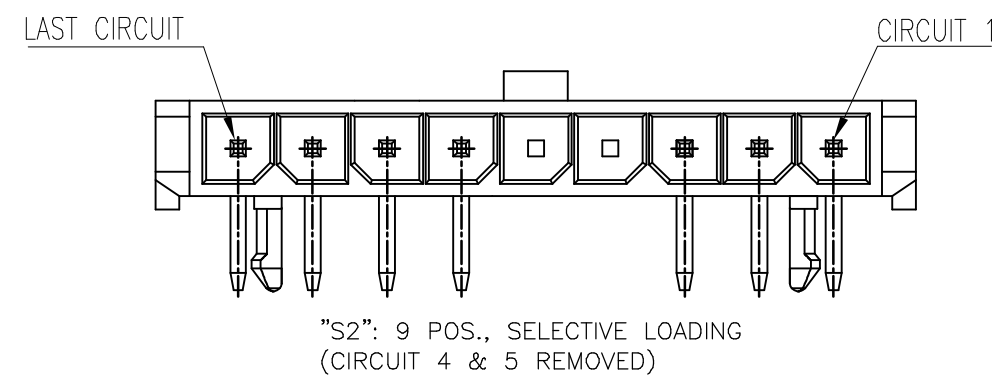
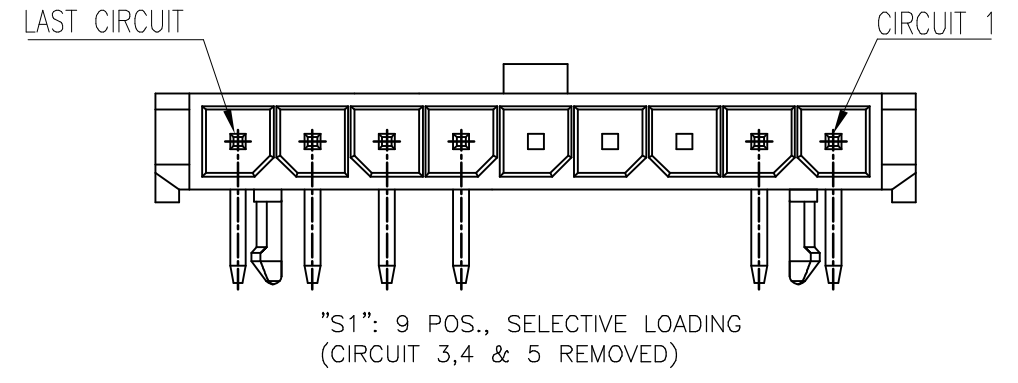
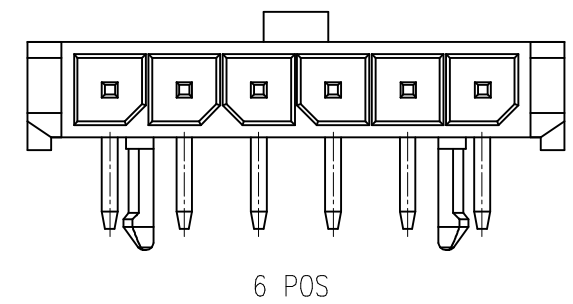
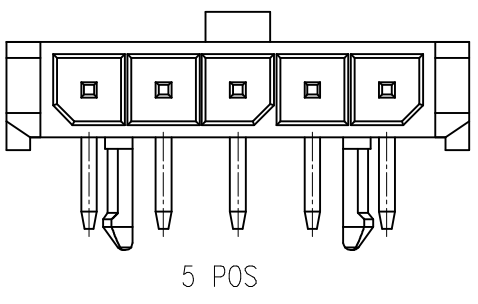
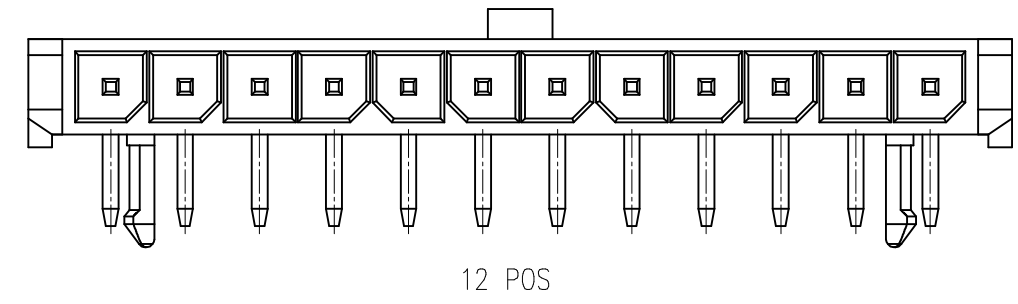
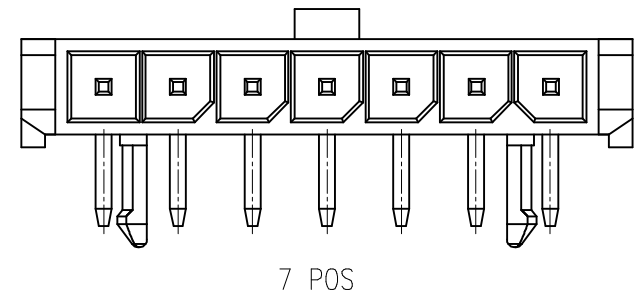
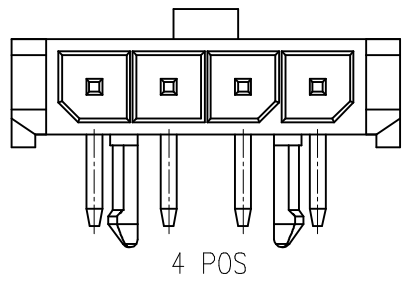
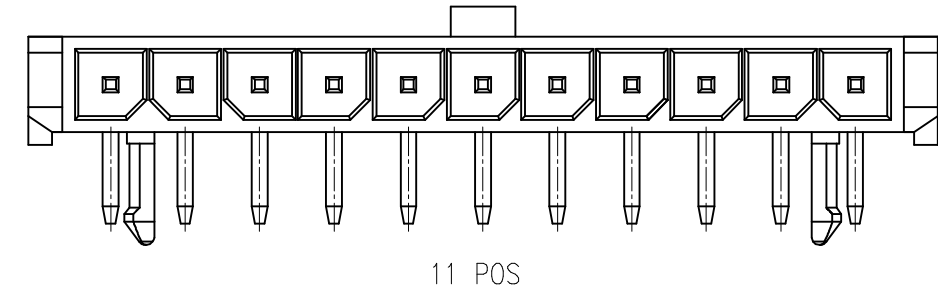
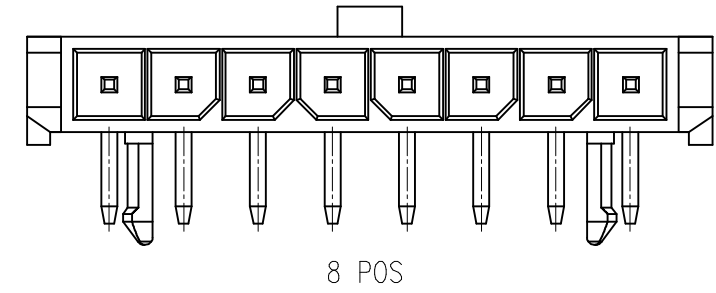
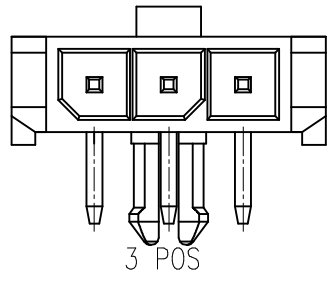
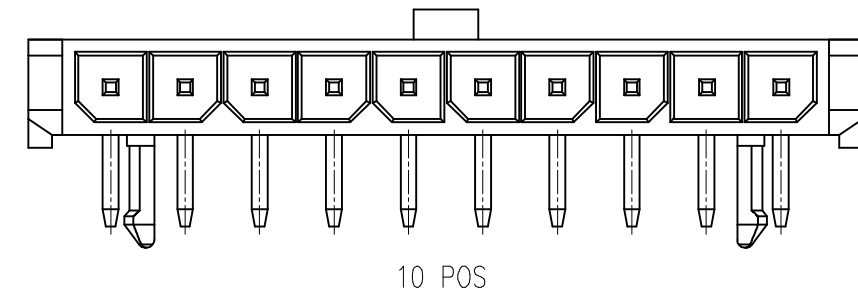
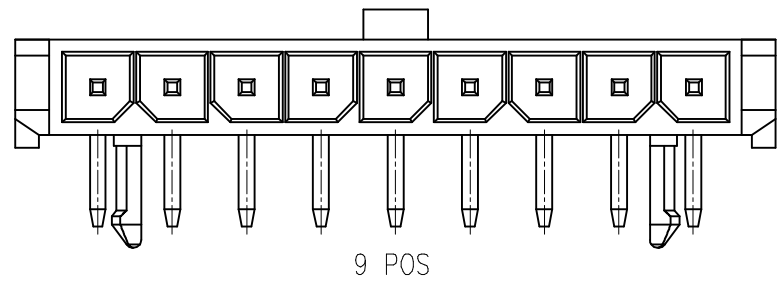
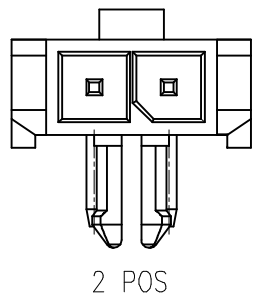


RECOMMENDED PCB LAYOUT  
PCB THICKNESS=1.6mm.  
General Tolerance±0.05

mat'l. code				surface <input checked="" type="checkbox"/> ISO 1302 tolerance <input checked="" type="checkbox"/> ISO 406 <input type="checkbox"/> ISO 1101		projection		product family MINITEK PWR3.0	
ltr ecn no dr date				tolerances unless otherwise specified		mm		title	
H ELX-I-43460 AKHIL 2022-01-21				angles linear .0±.30 .00±.20		scale N.T.S		SINGLE ROW R/A HEADER MINITEK 3.0 STANDARD	
D ELX-N-26823 TONY 2017-04-27 dr KENNY TAI 2015-08-21				E ELX-N-27171 TONY 2017-06-07 engr AKHIL RAJAN 2022-01-21		F ELX-N-27388 TONY 2017-07-05 chr MITHUN PAUL 2022-01-21		G ELX-N-29703 TONY 2018-03-29 appd SPK 2022-01-21	
sheet index		revision sheet		H H		1 2		dwg no sheet 1 of 2 size 10136654 A3	
								type Product Customer Drawing	

Amphenol FCI

© 2016 AFCl



mat'l. code		surface		tolerance		projection		product family	
		ISO 1302		ISO 406 ISO 1101				MINITEK PWR3.0	
ltr		ecn no		dr		date		title	
								SINGLE ROW R/A HEADER MINITEK 3.0 STANDARD	
				angles		linear		scale	
				0°±2'				N.T.S	
				dr		KENNY TAI 2015-08-21		dwg no	
				enr		AKHIL RAJAN 2022-01-21		sheet 2 of 2	
				chr		MITHUN PAUL 2022-01-21		size	
				app		SPK 2022-01-21		A3	
sheet index		revision sheet		H		H		type	
		1 2						Product Customer Drawing	